



## At a glance

### Applications



Frost protection



Temperature maintenance



Silos, containers, tanks



Pipelines, valves, pumps

- › Building technology
- › Water and wastewater systems
- › Industrial plants that require frost protection or process temperatures

### Advantages

- › No mounting bracket required
- › No static charging
- › Snap lock = close the cover without tool
- › Identification plate can be provided by the customer

### Suitable connection

- › Up to 3 heating cables ELSR,
- › Up to 3 heating cables ELKM-AE
- › Up to 3 heating cables ELKM-AG
- › Up to 2 PT100
- › 1 supply line

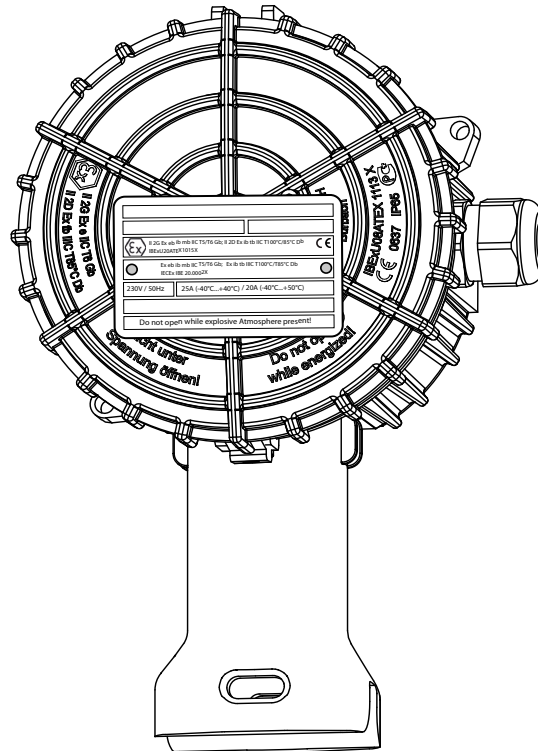
### Approvals



- › IBExU 08 ATEX 1113 X
- › IECEx IBE 16.0001X
- › IBEXU 09 ATEX 1023U

# Ex-it-R

## Junction Box for ELSR & PT100



The innovative junction box (ELAK-Ex-R) with mounting base (Ex-it) is suitable for use in areas subject to explosion hazard and offers many advantages. The cable that is led in does not have to be bent sharply thanks to the shape of the box. This protects the cable against damage. Thanks to the integrated mounting base, no mounting bracket is needed. This is especially advantageous with pipe trace heating systems, since the cable can be led in directly through the mounting base. No more cable glands are required for heating conductors and sensors. A safety screw connection with enclosed tool prevents the cover from moving. Additional fastening possibilities for identification plates make it possible to label heating circuits reliably in complex systems.

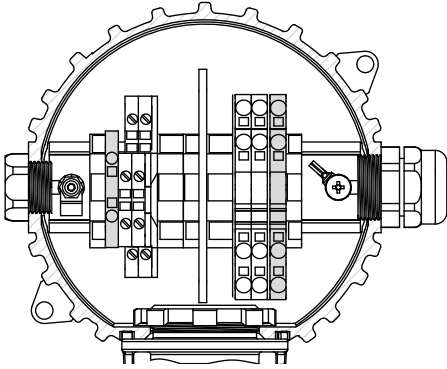
## Checklist

### Assembly Accessories

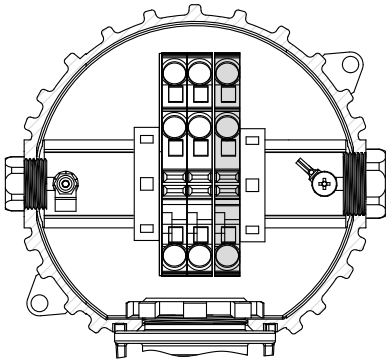
ELB-15.02	Hose clamp 16-25 mm (DN 15, 1/2"), mat. 1.4301	2723001016
ELB-15.04	Hose clamp 25-40 mm (DN 25, 1"), mat. 1.4301	2723001025
ELB-15.06	Hose clamp 40-60 mm (DN 40, 1.5"), mat. 1.4301	2723001040
ELB-15.09	Hose clamp 70-90 mm (DN 65, 2.5"), mat. 1.4301	2723001070
ELB-15.11	Hose clamp 90-110 mm (DN 80, 3"), mat. 1.4301	2723001090
ELB-13V1	Threaded strapping tape, 11 mm, 30 m, mat. 1.4301	2723001010
ELB-13V2	Turnbuckle 1.4301 (pkg. = 10 pieces), mat. 1.4301	0930042



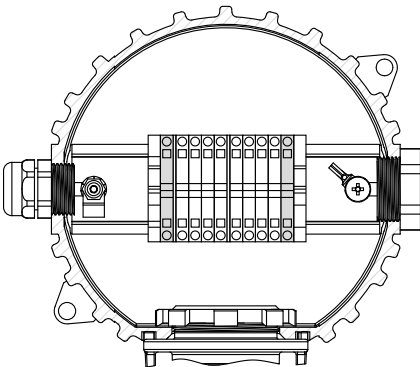
## Scope of Delivery



■ Terminal for earthing or electrical protection



■ Terminal for earthing or electrical protection



■ Terminal for earthing or electrical protection

Note: The ELAK-R system does not include connection and termination sets. Please order these separately according to the Type of heating cable you are using.

## Ordering Information

Type	Suitable connection	Item no.
Ex-it-R	Junction box incl. mounting base, for 3 ELSR-N/-LS/-H/-SH/-SHH, 1 AL, 1 sensor line	0X80070
Ex-it-R-T	Junction box incl. mounting base, for splice or T-connection, up to 3 ELSR-N/-LS/-H/-SH/-SHH	0X80082
Ex-it-R-ELTf	Junction box incl. mounting base, 1 sensor line	0X80092

### Ex-It-R

Type	Qty.	Clamp range
Blind plug M20x1,5	1	-
Blind plug M25x1,5 *	1	-
Cable gland M20x1,5 *	1	9 - 12 mm
Cable gland M25x1,5	1	9-13/12-17 mm
Protective earth terminal	1	2,5 mm <sup>2</sup>
Double-deck terminal	2	2,5 mm <sup>2</sup>
Protective earth terminal	2	4 mm <sup>2</sup>
4-wire feed-through terminal	2	4 mm <sup>2</sup>

\* loosely enclosed

### Ex-It-R-T

Type	Qty.	Clamp range
Blind plug M25x1,5	1	-
Blind plug M20x1,5	1	-
3-wire protective earth terminal	1	10 mm <sup>2</sup>
3-wire feed-through terminal	2	10 mm <sup>2</sup>

### Ex-It-R-ELTf

Type	Qty.	Clamp range
Plug M25x1,5	1	-
Cable gland M25x1,5	1	9 - 12 mm
Protective earth terminal	2	2,5 mm <sup>2</sup>
Feed-through terminal	8	2,5 mm <sup>2</sup>