

Compression load cell Inteco[®], converter Connexx[®], mounting kits PR 600x, PR 614x

The versatile, innovative weighing solution for silo and vessel weighing



ⓘ Benefits

- High flexibility for a number of applications
- Maximum measuring accuracy and repeatability error
- Simple and fault-free installation using sophisticated mounting kits
- Robust design for long-lasting use

The load cells of the Inteco[®] (PR 6203) series have been specially designed for weighing silos, tanks and process vessels. Their unique construction principle, in conjunction with the FlexLock mounting kits, makes it possible to compensate for lateral forces.

Unrivalled reliability, robustness and stability for your silo and process vessel weighing

- ⓘ With maximum capacities from 500 kg to 75 t, accuracy classes from D1 to C6 and EX versions, almost all applications are possible.
- ⓘ The pendulum support principle ensures there is always optimal force transmission into the sensor and thus minimises the influence on measuring accuracy, whilst also offering a large overload capacity, very high repeatability error and perfect linearity.
- ⓘ With the FlexLock mounting kits, it is possible to compensate for movements arising from mechanical or thermal contraction or expansion of the container or the support structure.
- ⓘ Thanks to the use of stainless steel in the housing and measuring elements and the top IP68/IP69 protection class, the cell holds its own even in adverse conditions.

Technical specifications

Compression load cell Inteco®/PR 6203 (500 kg – 75 t)						
Parameter	Description	Abbr.	PR 6203 D1/N	PR 6203 C3	PR 6203 C6	Unit
Accuracy class			0.04	0.015	0.008	%E _{max}
Minimum dead load	Lowest limit of specified measuring range	E _{min}	0			%E _{max}
Maximum capacity	Highest limit of specified measuring range	E _{max}	See Ordering information table			kg
Safe load limit	Maximum load without irreversible damage	E _{lim}	For 500 kg...50 t: 150 For 60 t: 125 For 75 t: 100			%E _{max}
Destructive load	Danger of mechanical destruction	E _d	For 500 kg...50 t: >300 For 60 t: >250 For 75 t: >200			%E _{max}
Minimum LC verification	Minimum load cell verification interval (v _{min} = E _{max} /Y)		See Accuracy classes and minimum verification interval, v _{min} table			
	For E _{max} = 500 kg	Y	2,500	n.a.	n.a.	
	For E _{max} = 1 t	Y	5,000	n.a.	n.a.	
	For E _{max} = 2 t	Y	5,000	10,000	n.a.	
	For E _{max} = 3 t...75 t	Y	5,000	14,000	3 t – 10 t: 14,000 ≥20 t: 20,000	
Deadload output return	Factor for deadload output return after load (DR=1/2*E _{max} /Z)	Z	1,000	3,000	6,000	
Rated output	Relative output at maximum capacity	C _n	2	2	2	mV/V
Tolerance on rated output	Permissible deviation from rated output	d _c	<0.25	<0.07	<0.07	%C _n
Zero output signal	Load cell output signal under unloaded condition	S _{min}	0±1.0	0±1.0	0±1.0	%C _n
Reproducibility	Max. change in load cell output for repeated loading	ε _R	0.01	0.005	0.005	%C _n
Creep	Max. change of output signal at E _{max} for 30 min.	d _{cr}	<0.03	<0.015	<0.008	%C _n
Non-linearity ¹⁾	Max. deviation from best straight line through zero	d _{lin}	<0.03	<0.01	<0.01	%C _n
Hysteresis ¹⁾	Max. difference in LC output between loading and unloading	d _{hy}	<0.04	<0.015	<0.008	%C _n
Temperature effect (TK) on S _{min}	Max. change of S _{min} in B _T	TK _{Smin}	<0.028	<0.010	<0.007	%C _n /10 K
Temperature effect (TK) on parameter ¹⁾	Max. change of C in B _T	TK _C	<0.03	<0.010	<0.005	%C _n /10 K
Input impedance	Between supply terminals	R _{LC}	650 ±6	650 ±6	650 ±6	Ω
Output impedance	Between measuring terminals	R _O	610 ±1	610 ±0.5	610 ±0.5	Ω
	For E _{max} = 60 t	R _O	510 ±1	510 ±0.5	510 ±0.5	Ω
	For E _{max} = 75 t	R _O	410 ±1	410 ±0.5	410 ±0.5	Ω
Insulation impedance	Between measuring circuit and housing at 100 V _{DC}	R _{IS}	>5,000 × 10 ⁶			Ω
Insulation voltage	Between circuit and housing (Inteco® only)		500			V
Recommended supply voltage	To hold the specified performance	B _u	4...24			V _{DC}
Max. supply voltage	Permissible for continuous operation without damage	U _{max}	32 (Ex versions: 25)			V _{DC}
Nominal ambient temp. range	To hold the specified performance	B _T	-10...+40	-10...+40	-10...+40	°C
Usable temperature range	Permissible for continuous operation without damage	B _{Tu}	-40...+95	-40...+95	-40...+95	°C
Storage temperature range	Without electrical and mechanical stress	B _{Ti}	-40...+95	-40...+95	-40...+95	°C
Material (load cell housing)	Stainless steel 1.4301 acc. DIN EN 10088-3 (conforms to 304 AISI)					
Permissible eccentricity	Permissible displacement from nominal load line	S _{ex}	For 500 kg... 10 t: 10 For 20 t... 75 t: 5			mm
Vibration resistance	Resistance against oscillations (IEC 68-2-6 Fc)		20 g, 100 h, 10... 150 Hz			

1) The data for non-linearity (d_{lin}), hysteresis (d_{hy}) and temperature effect on C (TK_C) are typical values. For OIML R60 or NTEP approved load cells, the sum of these values is within the permissible cumulative error limits.

Parameter	Description	Abbr.	PR 6203 D1/N	PR 6203 C3	PR 6203 C6	Unit
Barometric pressure influence	Influence of barometric pressure on output	PK_{Smin}	500 kg...3 t: 200 5 t...10 t: 330 20 t...75 t: 420			g/kPa
Nominal deflection	Max. elastic deformation under maximum capacity	S_{nom}	$\leq 5 t: \leq 0.3 / \leq 20 t: \leq 0.5 / \leq 50 t: \leq 0.8 /$ $60 t...75 t: \leq 1.2$			mm
Protection class	according to IEC 529 – Inteco: IP66 / IP68* / IP69 – Connexx®: IP66 / IP 68**					
Cable	Length: $E_{max} \leq 10 t: 5 m, E_{max} > 10 t: 12 m$ Diameter: 5 mm Cross section: $4 \times 0.35 mm^2$ Material cable sheath: TPE					
Bending radius	$\geq 25 mm$ in case of fixed installation $\geq 75 mm$ in case of flexible installation					

Connexx®						
Nominal ambient temp. range	To hold the specified performance	B_T	-10...+40			°C
Usable temperature range	Permissible for continuous operation without damage	B_{Tu}	-30...+60			°C
Storage temperature range	Without electrical and mechanical stress	B_{Ti}	-30...+70			°C

* The load cell can be submerged in water at a depth of 1.5 m for 10,000 hours.

** The module can be submerged in water at a depth of 1.5 m for 100 hours.

Accuracy classes and minimum verification interval, v_{min}

	OIML			NTEP Class III Multiple			NTEP Class III L Multiple		
	D1/D1E	C3/C3E	C6/C6E	D1/D1E	C3/C3E	C6/C6E	D1/D1E	C3/C3E	C6/C6E
Maximum number of verification intervals, n_{max}	1,000	3,000	6,000	1,000	5,000	10,000	2,000	10,000	10,000
500 kg	0.2 kg	n.a.	n.a.	0.2 kg	n.a.	n.a.	n.a.	n.a.	n.a.
1 t	0.2 kg	n.a.	n.a.	0.2 kg	n.a.	n.a.	n.a.	n.a.	n.a.
2 t	0.4 kg	0.2 kg	n.a.	0.4 kg	0.2 kg	n.a.	0.2 kg	0.2 kg	n.a.
3 t	0.6 kg	0.22 kg	0.22 kg	0.6 kg	0.22 kg	0.22 kg	0.2 kg	0.2 kg	0.2 kg
5 t	1 kg	0.36 kg	0.36 kg	1 kg	0.36 kg	0.36 kg	0.34 kg	0.2 kg	0.2 kg
10 t	2 kg	0.72 kg	0.72 kg	2 kg	0.72 kg	0.72 kg	0.67 kg	0.24 kg	0.24 kg
20 t	4 kg	1.43 kg	1 kg	4 kg	1.43 kg	1 kg	1.34 kg	0.48 kg	0.34 kg
30 t	6 kg	2.15 kg	1.5 kg	6 kg	2.15 kg	1.5 kg	2 kg	0.72 kg	0.5 kg
50 t	10 kg	3.58 kg	2.5 kg	10 kg	3.58 kg	2.5 kg	3.34 kg	1.2 kg	0.84 kg
60 t	12 kg	4.29 kg	3 kg	12 kg	4.29 kg	3 kg	4 kg	1.43 kg	1 kg
75 t	15 kg	5.36 kg	3.75 kg	15 kg	5.36 kg	3.75 kg	5 kg	1.79 kg	1.25 kg

Time savings with matched output

The output impedance (R_0) and parameter (C_r) of the load cells are within a tight tolerance range (= matched output) both individually and together. A preliminary adjustment of the entire measurement chain can therefore be performed without reference weight. Thanks to the matched output technology, a damaged load cell can be replaced without the need for recalibration.



Mounting kit PR 6001

Maximum capacity of load cell Inteco®	Mounting kit/ accessories	Material	Description/ comments	Mounting screws (not included in delivery)	Installation height (mm)	Max. permissible horizontal force (kN)	Horizontal destructive force (kN)	Lifting destructive force (kN)	Max. permissible lift-off force (kN)	Max. permissible eccentricity	Max. permissible vertical load without load cell	Max. permissible load for jack-up	CE approval according to EN 1090
500 kg – 10 t	PR 6001/00N	Steel electrogalvanised, passivated and sealed (RoHS compliant)	Mounting kit incl. upper load disc	M12-8.8	190.5	/	20	38	20	±5	25 t	1.5 t	Yes
	PR 6001/00S	Stainless steel 1.4301 (AISI 304)	Mounting kit incl. upper and lower load disc	M12-A2-70			20	38					/
	PR 6001/10N	Steel electrogalvanised, passivated and sealed (RoHS compliant)	MaxiFLEXLOCK	M12-8.8		25	45	38					Yes
	PR 6001/10S	Stainless steel 1.4301 (AISI 304)	MaxiFLEXLOCK	M12-A2-70		39	38	/					
	PR 6001/20N	Steel electrogalvanised, passivated and sealed (RoHS compliant)	MaxiFLEXLOCK	M16-8.8		50	100	38					Yes
	PR 6001/20S	Stainless steel 1.4301 (AISI 304)	MaxiFLEXLOCK	M16-A2-70		100	38	/					
	PR 6001/30N	Steel electrogalvanised, passivated and sealed (RoHS compliant)	High-load mounting kit incl. upper load disc	M20-8.8	250.5	200	236	250	180	±5	25 t	1.5 t	Yes
20 t – 75 t	PR 6001/01N	Steel electrogalvanised, passivated and sealed (RoHS compliant)	Mounting kit including upper load disc	M12-8.8	190.5	/	20	57	30	±5	25 t	/	Yes
	PR 6001/01S	Stainless steel 1.4301 (AISI 304)	Mounting kit incl. upper and lower load disc	M12-A2-70			20	57					/
	PR 6001/11N	Steel electrogalvanised, passivated and sealed (RoHS compliant)	MaxiFLEXLOCK	M12-8.8		25	45	57					Yes
	PR 6001/11S	Stainless steel 1.4301 (AISI 304)	MaxiFLEXLOCK	M12-A2-70		39	57	/					
	PR 6001/21N	Steel electrogalvanised, passivated and sealed (RoHS compliant)	MaxiFLEXLOCK	M16-8.8		50	100	57					Yes
	PR 6001/21S	Stainless steel 1.4301 (AISI 304)	MaxiFLEXLOCK	M16-A2-70		100	57	/					
	PR 6001/26N	Steel electrogalvanised, passivated and sealed (RoHS compliant)	MaxiFLEXLOCK	M20-8.8	250.5	50	100	250	180	±5	25 t	/	Yes
	PR 6001/31N	Steel electrogalvanised, passivated and sealed (RoHS compliant)	High-load mounting kit incl. upper load disc	M20-8.8	200	236	250	250	180	±5	25 t	/	Yes

Mounting kit PR 6003

Maximum capacity of load cell Inteco®	Mounting kit/ accessories	Material	Description/ comments	Mounting screws (not included in delivery)	Installation height (mm)	Max. permissible horizontal force (kN)	Horizontal destructive force (kN)	Lifting destructive force (kN)	Max. permissible lift-off force (kN)	Max. permissible eccentricity	Max. permissible vertical load without load cell	Max. permissible load for jack-up	CE approval according to EN 1090	
500 kg – 75 t	PR 6003/01N	Steel electrogalvanised, passivated and sealed (RoHS compliant)	Mounting kit	M16-8.8	190,5	/	22	210	120	± 5	35 t	/	in progress	
	PR 6003/01S	Stainless steel 1.4408 (AISI 316)	Mounting kit	M16-A2-70		16	150	90	± 5	25 t	/			
	PR 6003/01N with PR 6003/80N	Steel electrogalvanised, passivated and sealed (RoHS compliant)	Mounting kit with constrainer (FLEXLOCK)	M16-8.8		45	60	210	120	/	35 t	/		
	PR 6003/01S with PR 6003/80S	Stainless steel 1.4408 (AISI 316) + 1.4301 (AISI 304)	Mounting kit with constrainer (FLEXLOCK)	M16-A2-70		30	60	150	90	/	25 t	/		
	PR 6003/01N with PR 6003/81N	Steel electrogalvanised, passivated and sealed (RoHS compliant)	Mounting kit with constrainer (FLEXLOCK)	M16-8.8 M16-10.9		70 82	100	210	120	/	35 t	/		
	PR 6003/01S with PR 6003/81S	Stainless steel 1.4408 (AISI 316) + 1.4301 (AISI 304)	Mounting kit with constrainer (FLEXLOCK)	M16-A2-70 M16-A2-80		50 60	100	150	90	/	25 t	/		
	PR 6003/50S	Stainless steel 1.4542 (AISI 630)	Upper load disc	/		/	/	/	/	/	/	/		/
	PR 6003/70S	Stainless steel 1.4112 (AISI 440B)	Jack-up tool	/		/	/	/	/	/	/	/		5 t

Mounting kit PR 6143

Maximum capacity of load cell Inteco®	Mounting kit/ accessories	Material	Description/ comments	Mounting screws (not included in delivery)	Horizontal destructive force (kN)	Installation height (mm)	Max. permissible horizontal force (kN)	Max. permissible lift-off force (kN)**	CE approval according to EN 1090
500 kg – 10 t	PR 6143/24S	Stainless steel 1.4542	Lower load disc	/	70	/	/	/	/
20 t – 75 t	PR 6143/54S	Stainless steel 1.4542	Lower load disc	/	/	/	/	/	/
500 kg – 75 t	PR 6143/50N	Steel electrogalvanised, passivated and sealed (RoHS compliant)	Upper load disc	/	/	/	/	/	/
	PR 6143/50S	Stainless steel 1.4542	Upper load disc	/	/	/	/	/	/
	PR 6143/00N	Steel electrogalvanised, passivated and sealed (RoHS compliant)	MiniFLEXLOCK incl. upper load disc	M12-8.8	35	190.5	25	50	Yes
	PR 6143/00S	Stainless steel 1.4301 (AISI 304)	MiniFLEXLOCK incl. upper and lower load disc*	M12-A2-70	35				/

* Lower load disc only for 0.5 t–10 t,
for 20 t–75 t please order lower load disc PR 6143/54S separately

** With separate threaded bolt of strength class 8.8 or A2-70

Mounting kit PR 6144

Maximum capacity of load cell Inteco®	Mounting kit/ accessories	Material	Description/ comments	Mounting screws (not included in delivery)	Installation height (mm)	CE approval according to EN 1090	Horizontal destructive force (kN)	Lifting destructive force (kN)	Max. permissible lift-off force (kN)	Max. permissible vertical load without load cell	CE approval according to EN 1090
500 kg – 75 t	PR 6144/54N	Steel electrogalvanised, passivated and sealed (RoHS compliant)	Seismic Mount incl. load cell dummy	M30-8.8	217	370	600	600	400	16 t	Yes

Mounting kit PR 6145

Maximum capacity of load cell Inteco®	Mounting kit/ accessories	Material	Description/ comments	Mounting screws (not included in delivery)	Installation height (mm)	CE approval according to EN 1090
500 kg – 75 t	PR 6145/00N	Steel electrogalvanised, passivated and sealed (RoHS compliant)	Plate mounting kit incl. upper load disc	M12-8.8	190.5	Yes
	PR 6145/00S	Stainless steel 1.4301 (AISI 304)	Plate mounting kit incl. upper and lower load disc*	M12-A2-70		/

* Lower load disc only for 0.5 t–10 t.
for 20 t–75 t please order lower load disc PR 6143/54S separately

Fixed bearing PR 6101

Maximum capacity of load cell Inteco®	Fixed bearing	Material	Mounting screws (not included in delivery)	Installation height (mm)	Max. usable load	Horizontal destructive force (kN)	Permissible horizontal force for usable load (kN)
5 t	PR 6101/53N	Steel electrogalvanised, passivated and sealed (RoHS compliant)	M12-8.8	190.5	5 t	25	15
					10 t		12
	PR 6101/53S	Stainless steel 1.4301 (AISI 304)	M12-A2-70		5 t	16	10
					10 t		8.5
20 t	PR 6101/24N	Steel electrogalvanised, passivated and sealed (RoHS compliant)	M12-8.8	190.5	20 t	80	45
					40 t		35
	PR 6101/24S	Stainless steel 1.4301 (AISI 304)	M12-A2-70		20 t	40	30
					40 t		20
75 t	PR 6101/54N	Steel electrogalvanised, passivated and sealed (RoHS compliant)	M12-8.8	190.5	50 t	250	100
					75 t		80
	PR 6101/54S	Stainless steel 1.4301 (AISI 304)	M12-A2-70		50 t	150	50
					75 t		20

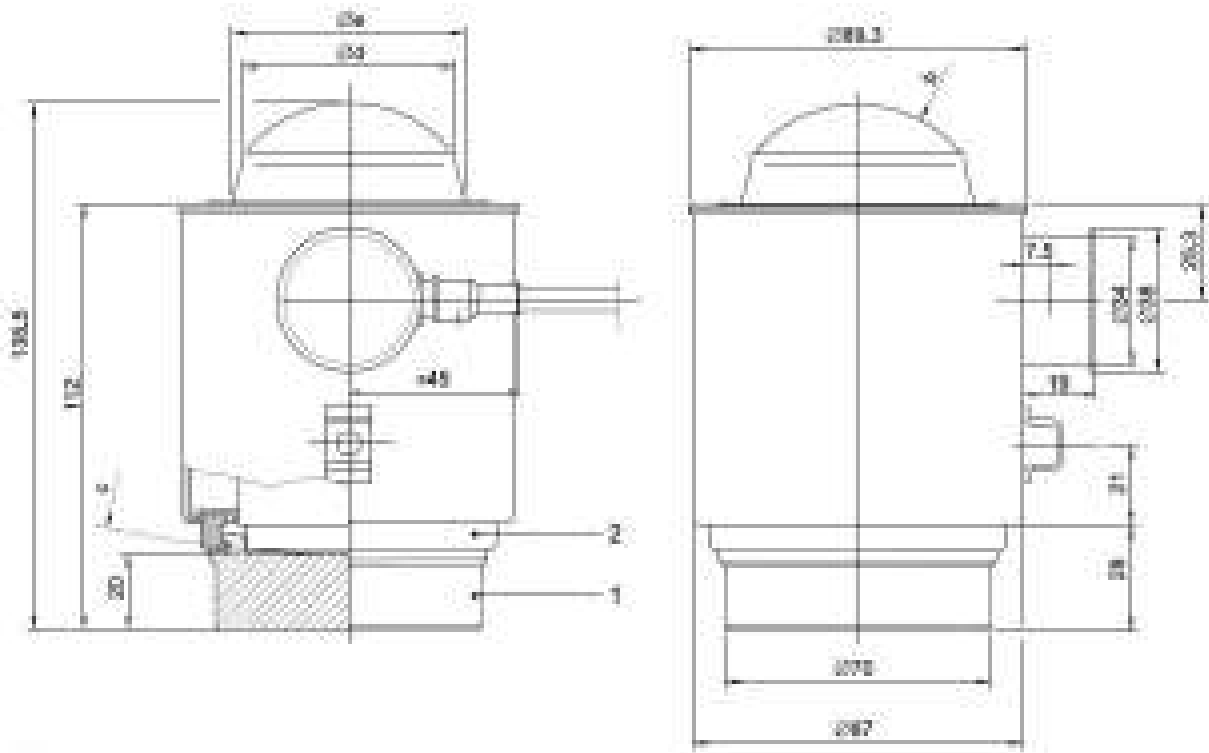


Fitted with the converter Connexx®, the load cell Inteco® offers a whole host of possibilities:

- The digital version guarantees fast signalling times for reliable dosing processes.
- Thanks to the use of field bus communication, the cable junction box is no longer needed.
- The standard interface CANopen ensures straightforward installation and calibration.
- CANopen allows for extra-long communication paths of up to 200 m.
- Weight values can also be generated individually – per load cell – meaning that defective load cells can be identified more easily.

Technical diagrams

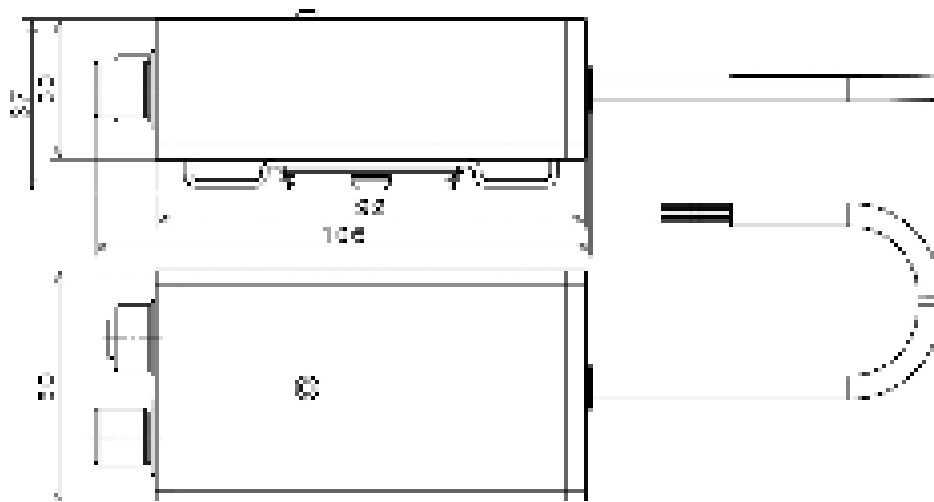
Load cells Inteco®/PR 6203



Pos.	Designation
1	Lower load disc
2	Support ring

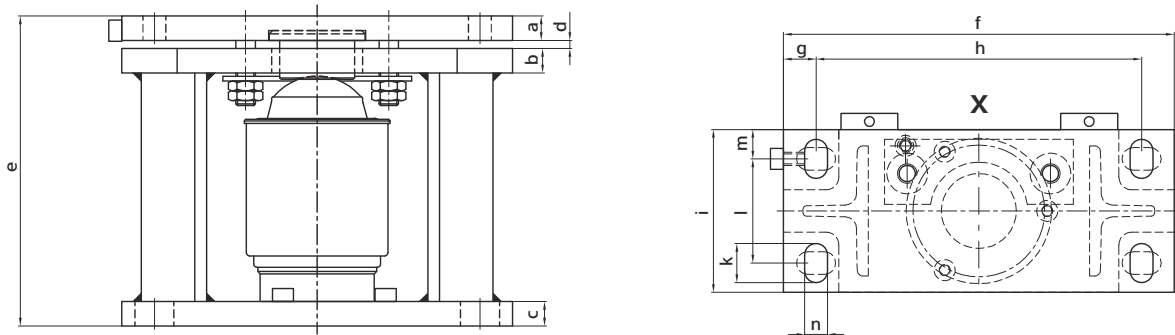
Model	b Spherical radius	c Spherical radius	d	e
Inteco®/500 kg...3 t	15	150	24	32
Inteco®/5 t...10 t	15	150	34	44
Inteco®/20 t...75 t	35	220	56	62

Converter Connex®



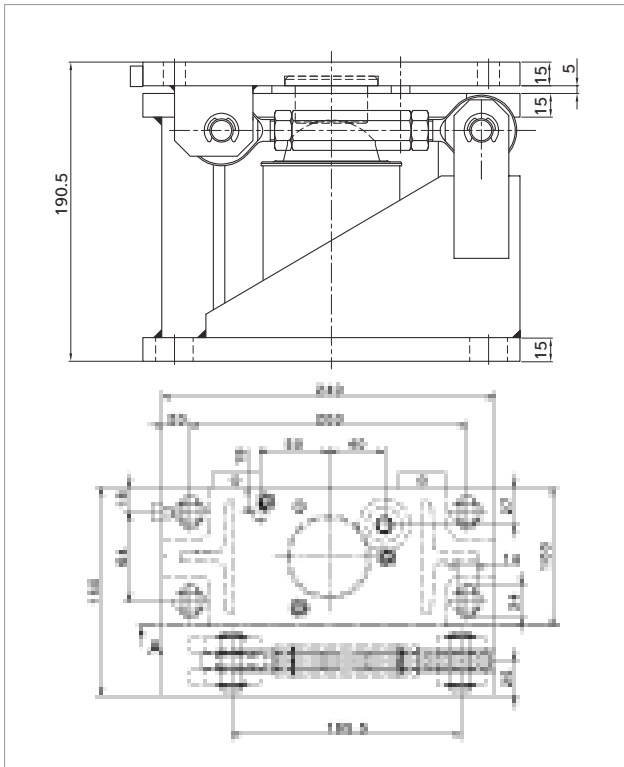
Converter Connex®

Mounting kit PR 6001

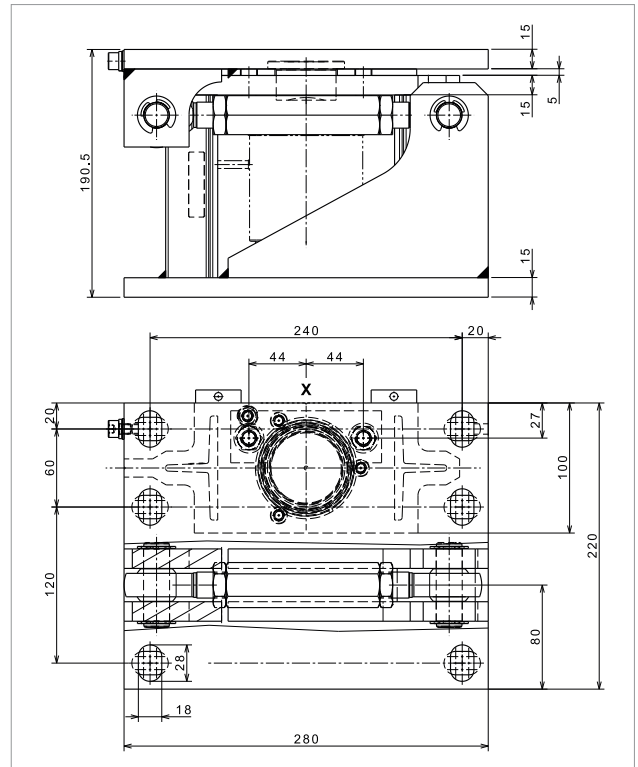


Mounting kit	a	b	c	d	e	f	g	h	i	k	l	m	n
PR 6001/00	15	15	15	5	190.5	240	20	200	100	24	64	18	14
PR 6001/01	15	15	15	5	190.5	240	20	200	100	24	64	18	14

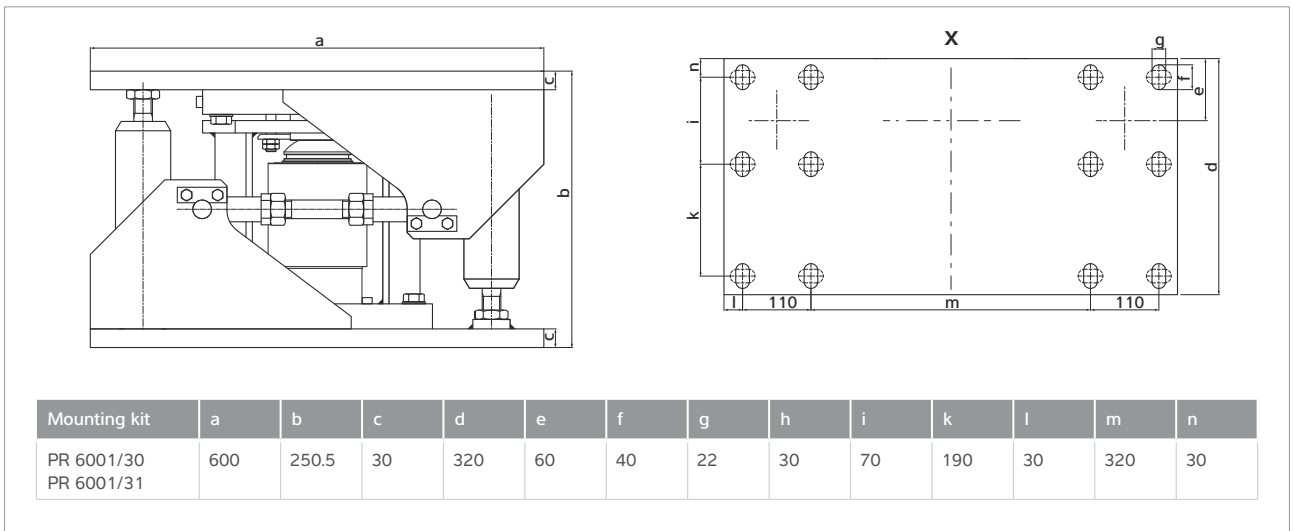
Mounting kits PR 6001/00N+S, PR 6001/01N+S



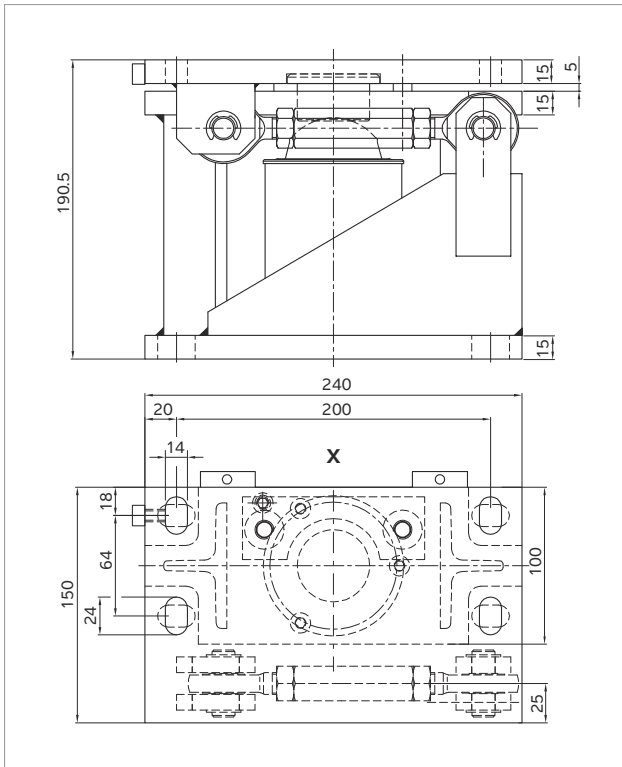
Mounting kit PR 6001/10N+S



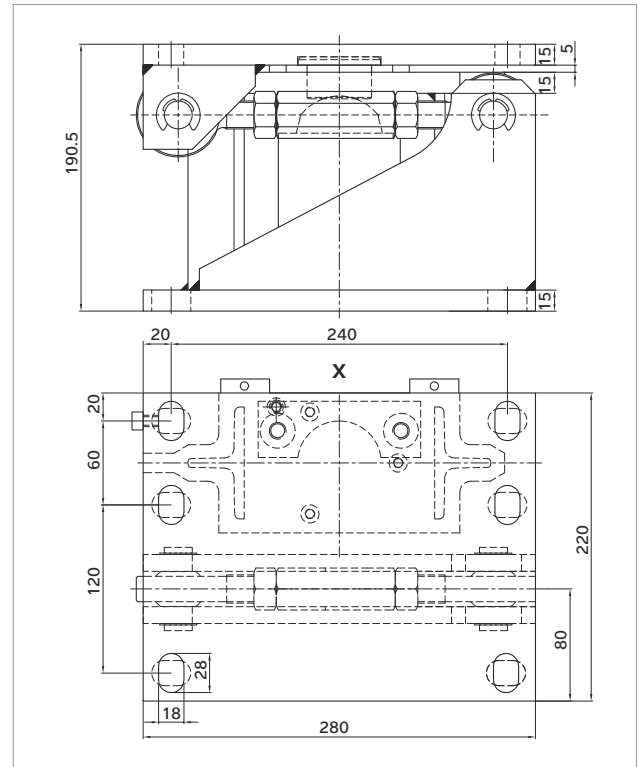
Mounting kit PR 6001/20N+S



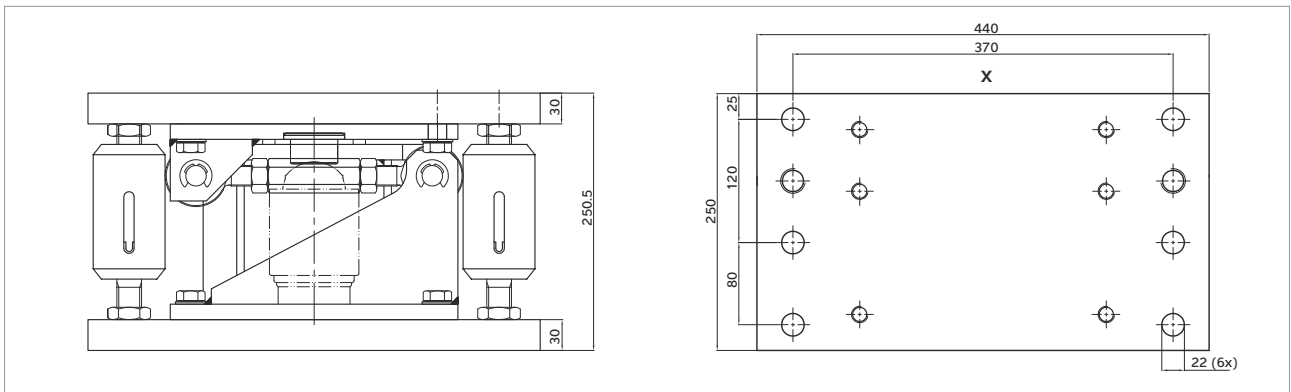
Mounting kits PR 6001/30N, PR 6001/31N



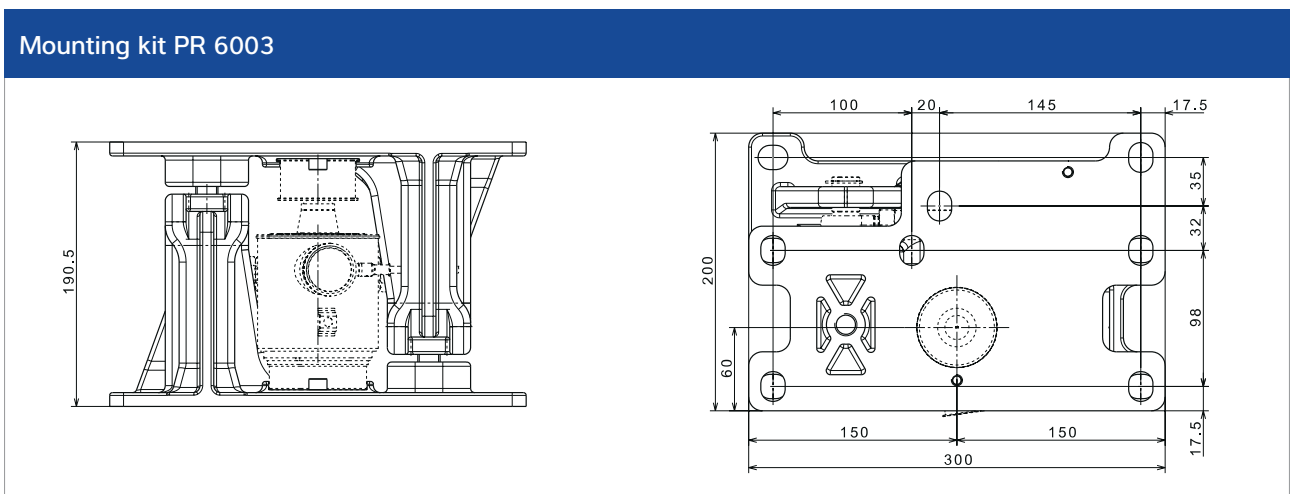
Mounting kit PR 6001/11N+S



Mounting kit PR 6001/21N+S

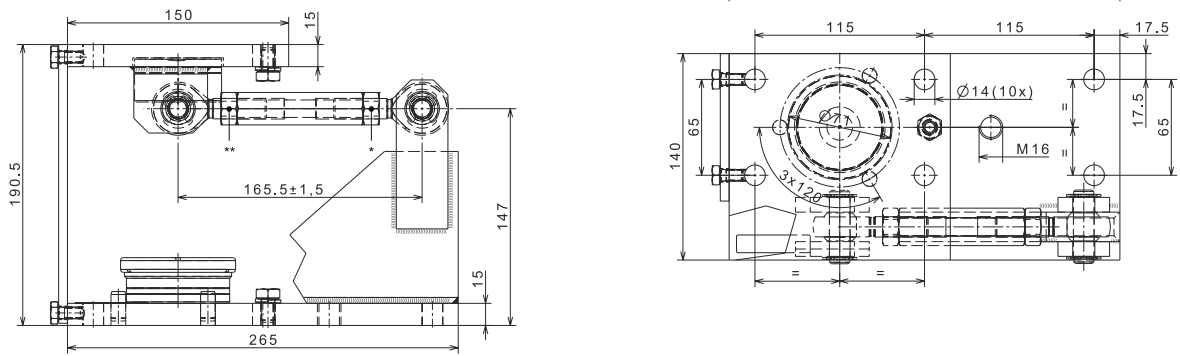


Mounting kit PR 6001/26N



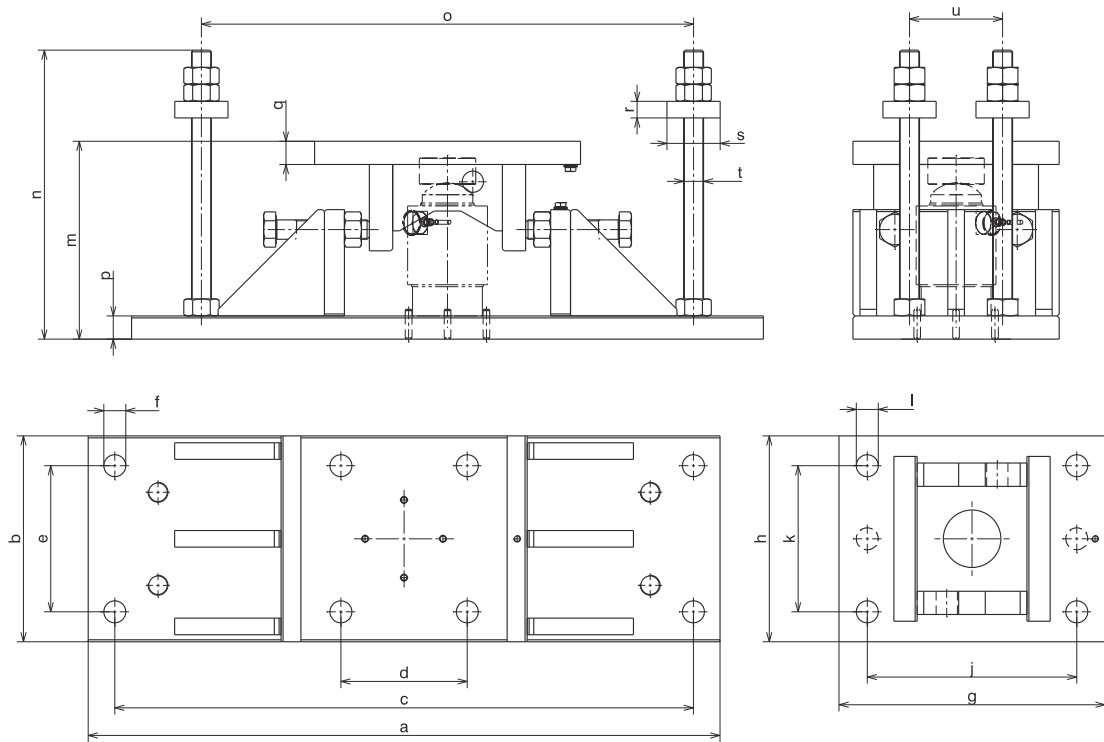
Mounting kit PR 6003/01N+S

Mounting kit PR 6143



Mounting kit PR 6143/00N+S

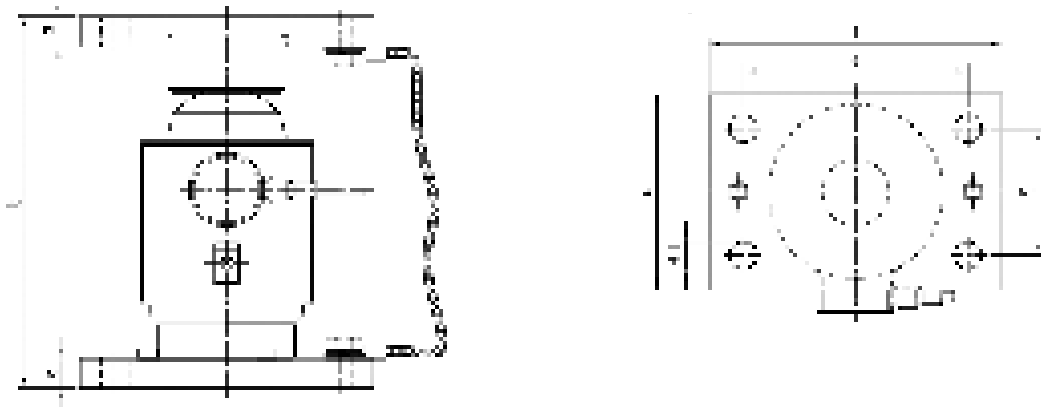
Mounting kit PR 6144



Model	a	b	c	d	e	f	g	h	j	k	l	m	n	o	p	q	r	s	t	u
PR 6144/54	820	240	740	160	160	Ø33	380	240	300	160	Ø33	217	350	620	30	30	25	Ø80	M30	120

Mounting kit PR 6144/54N

Mounting kit PR 6145/xx



Model	a	b	c	d	e	f	g
PR 6145/00	15	190.5	100	14	115	150	65

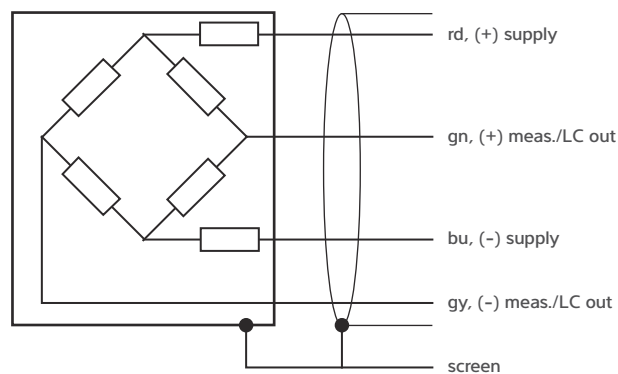
Mounting kit PR 6145/00

Fixed bearing PR 6101/xx



Model	a	b	c	d	e	f	g	h
PR 6101/53	15	190.5	-	115	150	65	100	14 (4x)
PR 6101/24	15	190.5	-	115	150	65	100	14 (4x)
PR 6101/54	15	190.5	115	199	250	65	100	14 (8x)

Fixed bearing PR 6101/53, PR 6101/24, PR 6101/54



Connection diagram

Ex approval

Scope of validity:

Inteco® (0.5 t – 75 t)



Explosion protection

Certificates precision compression load cell Inteco®/PR 6203

Zone	Labelling	Certificate number	For
0 and 1	II 1G Ex ia IIC T6 Ga Ex ia IIC T6 Ga 0Ex ia IIC T6 Ga	BVS 17 ATEX E 111X IECEX BVS 17.0092X	Inteco®/..E only
20 and 21	II 1D Ex ta IIIC T160 °C Da Ex ta IIIC T160 °C Da Ex ta IIIC T160 °C Da	TÜV 03 ATEX 2301X IECEX TUN 17.0025X	Inteco® with add-on ATEX-Zone 20/21
2	II 3G Ex nA IIC T6 Gc 2Ex nA IIC T6 Gc	Manufacturer's declaration	Inteco® with add-on ATEX-Zone 2
22	II 3D Ex tc IIIC T85 °C Dc Ex tc IIIC T85 °C Dc	Manufacturer's declaration	Inteco® with add-on ATEX-Zone 22
FMus	IS CL I, II, DIV 1, GP A, B, C, D, E, F, G Entity - 4012 101 5688 NI CL I, II, DIV 2, GP A, B, C, D, E, F, G NIFW - 4012 101 5688 T4A Ta= -30°C to 70°C; T5 Ta= -30°C to 55°C	FM17US0276	Inteco® with add-on FM
FMca	IS CL I, II, DIV 1, GP A, B, C, D, E, F, G Entity - 4012 101 5688 NI CL I, II, DIV 2, GP A, B, C, D, E, F, G NIFW - 4012 101 5688 T4A Ta= -40°C to 70°C; T5 Ta= -40°C to 55°C	FM17CA0138	Inteco® with add-on FM

Ordering information

Compression load cell Inteco®



Digital Assistance
Technology

Compression load cell Inteco®/PR 6203, OIML R60 accuracy class D1 = 0.04%

Type	Order number	Converter Connexx® as an option*
PR 6203/500 kg D1	940520301150	•
PR 6203/1 t D1	940520301210	•
PR 6203/2 t D1	940520301220	•
PR 6203/3 t D1	940520301230	•
PR 6203/5 t D1	940520301250	•
PR 6203/10 t D1	940520301310	•
PR 6203/20 t D1	940520301320	•
PR 6203/30 t D1	940520301330	•
PR 6203/50 t D1	940520301350	•
PR 6203/60 t D1	940520301360	•
PR 6203/75 t D1	940520301375	•

Compression load cell Inteco®/PR 6203, OIML R60 accuracy class C3 = 0.015%

Type	Order number	Converter Connexx® as an option*
PR 6203/2 t C3	940520303220	•
PR 6203/3 t C3	940520303230	•
PR 6203/5 t C3	940520303250	•
PR 6203/10 t C3	940520303310	•
PR 6203/20 t C3	940520303320	•
PR 6203/30 t C3	940520303330	•
PR 6203/50 t C3	940520303350	•
PR 6203/60 t C3	940520303360	•
PR 6203/75 t C3	940520303375	•

* In combination with the converter Connexx®, the load cell is also available as a digital version

Compression load cell Inteco®/PR 6203, OIML R60 accuracy class C6 = 0.008%

Type	Order number	Converter Connexx® as an option*
PR 6203/3 t C6	940520306230	
PR 6203/5 t C6	940520306250	
PR 6203/10 t C6	940520306310	
PR 6203/20 t C6	940520306320	•
PR 6203/30 t C6	940520306330	•
PR 6203/50 t C6	940520306350	
PR 6203/60 t C6	940520306360	
PR 6203/75 t C6	940520306375	

Compression load cell Inteco®/PR 6203, OIML R60 accuracy class D1 = 0.04%, Ex version

Type	Order number
PR 6203/500 kg D1E	940560301150
PR 6203/1 t D1E	940560301210
PR 6203/2 t D1E	940560301220
PR 6203/3 t D1E	940560301230
PR 6203/5 t D1E	940560301250
PR 6203/10 t D1E	940560301310
PR 6203/20 t D1E	940560301320
PR 6203/30 t D1E	940560301330
PR 6203/50 t D1E	940560301350
PR 6203/60 t D1E	940560301360
PR 6203/75 t D1E	940560301375

Compression load cell Inteco®/PR 6203, OIML R60 accuracy class C6 = 0.008%, Ex version

Type	Order number
PR 6203/3 t C6E	940560306230
PR 6203/5 t C6E	940560306250
PR 6203/10 t C6E	940560306310
PR 6203/20 t C6E	940560306320
PR 6203/30 t C6E	940560306330
PR 6203/50 t C6E	940560306350
PR 6203/60 t C6E	940560306360
PR 6203/75 t C6E	940560306375

Compression load cell Inteco®/PR 6203, OIML R60 accuracy class C3 = 0.015%, Ex version

Type	Order number
PR 6203/2 t C3E	940560303220
PR 6203/3 t C3E	940560303230
PR 6203/5 t C3E	940560303250
PR 6203/10 t C3E	940560303310
PR 6203/20 t C3E	940560303320
PR 6203/30 t C3E	940560303330
PR 6203/50 t C3E	940560303350
PR 6203/60 t C3E	940560303360
PR 6203/75 t C3E	940560303375

Converter Connexx®

Compression load cell Inteco®/PR 6203, Converter Connexx®

Type	Description	Order number
Converter Connexx®	The converter Connexx® can only be ordered with the above-mentioned load cells from the Inteco® series. When ordering, both order numbers need to be given.	940510300000

Compression load cell Inteco®/PR 6203, Converter Connexx® – Application sets

Type	Description	Order number
PR 6154/03	Application set for 3 load cells. Including: 2 × PR 6155/05, 1 × PR 6152/25, 1 × PR 6153/99	94053615403
PR 6154/04	Application set for 4 load cells. Including: 3 × PR 6155/05, 1 × PR 6152/25, 1 × PR 6153/99	940536154041

* In combination with the converter Connexx®, the load cell is also available as a digital version

Compression load cell Inteco®/PR 6203, Converter Connexx® – Accessories

Type	Description	Order number
PR 6152/10	Connection cable between Connexx® and X3 (10 m)	940536152101
PR 6152/25	Connection cable between Connexx® and X3 (25 m)	940536152251
PR 6152/40	Connection cable between Connexx® and X3 (40 m)	940536152401
PR 6153/98	Split cable gland	940536153981
PR 6153/99	Terminal resistor for Connexx®, M12	940536153991
PR 6155/05	Connection cable between Connexx® and Connexx® (5 m)	940536155051
PR 6155/10	Connection cable between Connexx® and Connexx® (10 m)	940536155101

Additional information:

The converters Connexx® can be used with the Indicator X3.

To do this, the indicator X3 must be equipped with a CANopen interface card PR 5510/05 (940535510051).

Mounting kits and accessories

Mounting kits PR 6145

Type	Description	Order number
PR 6145/00N	Mounting plate kit	940536145001
PR 6145/00S	Mounting plate kit, stainless steel	940536145002

Mounting kits PR 6143

Type	Description	Order number
PR 6143/00N	MiniFLEXLOCK	940536143001
PR 6143/00S	MiniFLEXLOCK, stainless steel	940536143002
PR 6143/50N	Upper load disc, 500 kg...75 t	940536143501
PR 6143/50S	Upper load disc, 500 kg...75 t, stainless steel	940536143502
PR 6143/24S	Bottom disc, 500 kg...10 t, stainless steel	940536143242
PR 6143/54S	Bottom disc, 20 t ... 75 t, stainless steel	940536143542

Mounting kits PR 6001

Type	Description	Order number
PR 6001/00N	Universal vessel foot 500kg...10t	940536001001
PR 6001/00S	Universal vessel foot 500kg...10t, stainless steel	940536001002
PR 6001/01N	Universal vessel foot 20t...75t	940536001011
PR 6001/01S	Universal vessel foot 20t...75t, stainless steel	940536001012
PR 6001/10N	MaxiFLEXLOCK 25 kN, 500 kg...10 t	940536001101
PR 6001/10S	MaxiFLEXLOCK 25 kN, 500 kg...10 t, stainless steel	940536001102
PR 6001/11N	MaxiFLEXLOCK 25 kN, 20 t ...75 t	940536001111
PR 6001/11S	MaxiFLEXLOCK 25 kN, 20 t ...75 t, stainless steel	940536001112
PR 6001/20N	MaxiFLEXLOCK 50 kN, 500 kg...10 t	940536001201
PR 6001/20S	MaxiFLEXLOCK 50 kN, 500 kg...10 t, stainless steel	940536001202
PR 6001/21N	MaxiFLEXLOCK 50 kN, 20 t ...75 t	940536001211
PR 6001/21S	MaxiFLEXLOCK 50 kN, 20 t ...75 t, stainless steel	940536001212
PR 6001/26N	MaxiFLEXLOCK 50 kN, 20 t ...75 t, 2 integrated lift-off protections 180 kN each	940536001261
PR 6001/30N	High capacity mounting kit 200 kN, 500 kg ...10 t	940536001301
PR 6001/31N	High capacity mounting kit 200 kN, 20 t ...75 t	940536001311

Mounting kits PR 6003

Type	Description	Order number
PR 6003/01N	Universal vessel foot	940536003011
PR 6003/01S	Universal vessel foot, stainless steel	940536003012
PR 6003/80N	FLEXLOCK constrainer for PR 6003	940536003801
PR 6003/80S	FLEXLOCK constrainer for PR 6003, stainless steel	940536003802
PR 6003/81N	FLEXLOCK constrainer for PR 6003	940536003811
PR 6003/81S	FLEXLOCK constrainer for PR 6003, stainless steel	940536003812
PR 6003/50S	Upper load disc for PR 6003, stainless steel	940536003502
PR 6143/24S	Bottom disc, 500 kg...10 t, stainless steel	940536143242
PR 6143/54S	Bottom disc, 20 t ... 75 t, stainless steel	940536143542
PR 6003/70S	Jack-up tool	940536003701

Mounting kits PR 6144

Type	Description	Order number
PR 6144/54N	Seismic Mount	940536144541

Pivots PR 6101

Type	Description	Order number
PR 6101/53N	Pivot 5 t	940556101531
PR 6101/53S	Pivot 5 t, stainless steel	940556101532
PR 6101/24N	Pivot 20 t	940556101241
PR 6101/24S	Pivot 20 t, stainless steel	940556101242
PR 6101/54N	Pivot 75 t	940556101541
PR 6101/54S	Pivot 75 t, stainless steel	940556101542

Constrainer

Type	Description	Order number
PR 6143/80	Constrainer rod 2kN	940536143801
PR 6152/02	2x horizontal constrainer 200kN	940536152021

The products and solutions presented in this data sheet make major contributions in the following sectors:



Food
and beverages

Chemistry

Agribusiness

Building materials

Machinery
(OEM)

The technical data given serves as a product description only and should not be understood as guaranteed properties in the legal sense.

Specifications subject to change without notice.
Rev. 03/2025

Minebea Intec GmbH
Meiendorfer Straße 205 A
22145 Hamburg, Germany
Phone +49.40.67960.303
sales.hh@minebea-intec.com
www.minebea-intec.com