



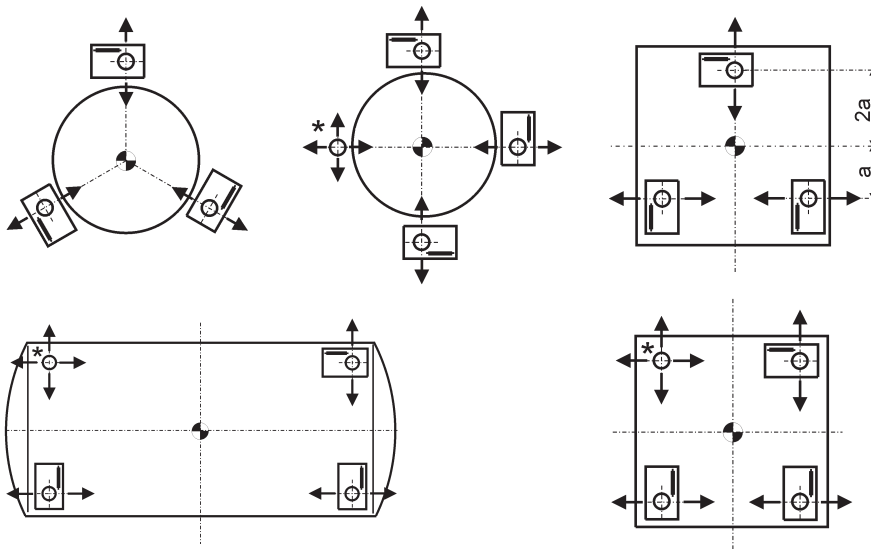
PR 6143, PR 6145

Compact Mounting Kits for PR 6201 load cells



- Easy to mount and install
- Complete solution for all installation problems
- Standard dimensions for different versions
- Corrosion resistant or stainless steel
- Full stainless steel version available
- High permissible side forces for continuous operation
- Special swivel bearings to transfer the forces (maintenance free)

Number of load cells
How to position the PR 6143



*) This weight point must not be constrained,
use mounting plate kit PR 6145/00

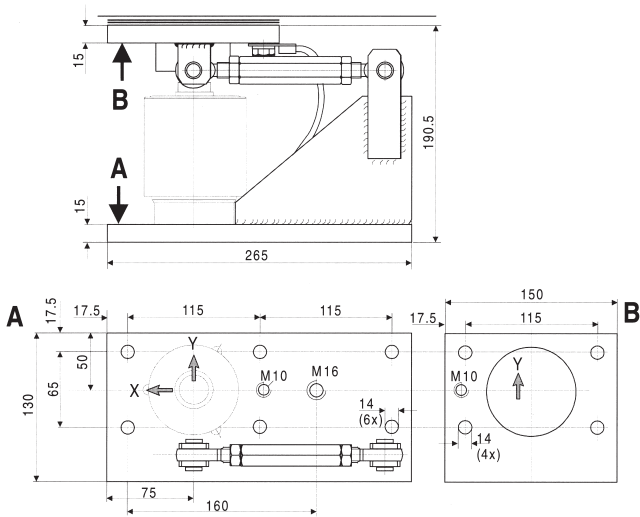
Design and Operation

The standard version is available in zinc plated and yellow chromated steel. For the chemical and food industries with their high requirements to durability and hygiene, the MiniFLEXLOCK is also available in stainless steel. The built-in constrainer absorbs horizontal forces, while leaving the object free to expand in case of temperature changes.

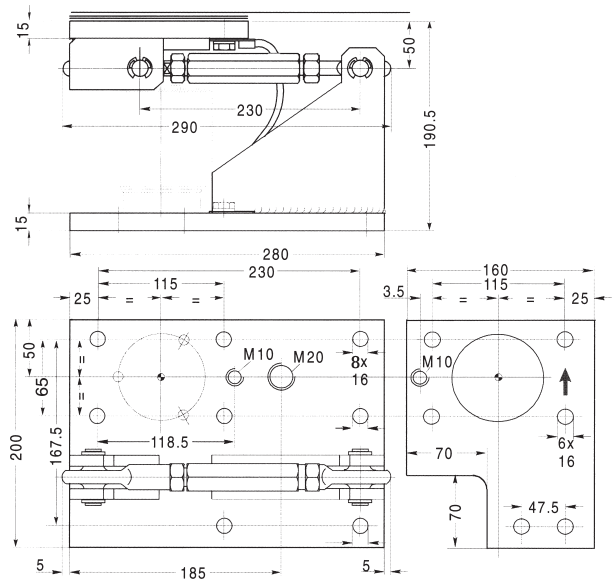
Application

The Sartorius PR 6143 is the ideal mounting kit for the PR 6201 load cell family from 500kg up to 50t. Due to its compact and robust construction, the MiniFLEXLOCK finds wide application in hoppers, silos, tanks and cranes in many branches of industry. The PR 6143 offers the complete solution for problem-free, secure and accurate installation of a load cell.

Dimensions für PR 6143/00N+S



Dimensions für PR 6143/10N+S



Dimensions in mm

Dimensions in mm

PR 6143/00N+S

Technical data

- Max. continuous horizontal force for the constrainer 25kN
- Destructive force of the constrainer > 35kN

Version

- N-Version: steel, zinc plated, yellow chromated
- S-Version: stainless steel 1.4301 according to DIN 17440 (all parts including the swivel bearings are made of stainless steel)

PR 6143/10N+S

Technical data

- Max. continuous horizontal force for the constrainer 50kN
- Destructive force of the constrainer > 70kN

Version

- N-Version: steel, zinc plated, yellow chromated
- S-Version: stainless steel 1.4301 according to DIN 17440 (all parts including the swivel bearings are made of stainless steel)

Accessories

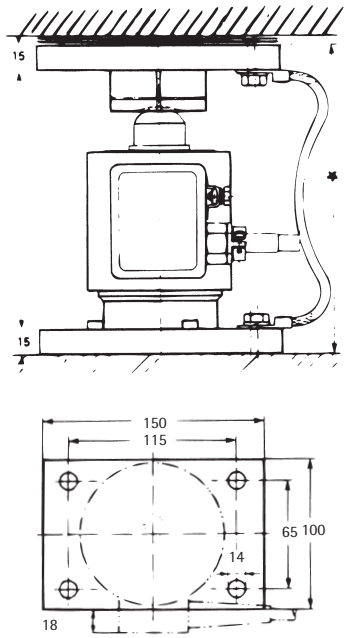
- (supplied with the mounting kits)
- Bolts and washer to fix the earthing cable
 - Load disk for PR 6201
 - Instruction manual

Order information

Type	Description	Packing	Weight gross/net	Order number
PR6143/00N	MiniFlexLock, 25kN	340 x 260 x 190mm	10,8kg/9kg	9405 361 43001
PR6143/00S	MiniFlexLock, 25kN, stainless steel (for 20t... 50t order PR 6143/54S seperatly)	340 x 260 x 190mm	11,7kg/9kg	9405 361 43002
PR6143/10N	MiniFlexLock, 50kN	360 x 280 x 190mm	16,9kg/14,8kg	9405 361 43101
PR6143/10S	MiniFlexLock, 50kN, stainless steel (for 500kg... 10t order PR 6143/24S seperatly)	360 x 280 x 190mm	19,7kg/18kg	9405 361 43102

Dimensions for PR 6145/...

PR 6145/00



Dimensions in mm

PR 6145/00

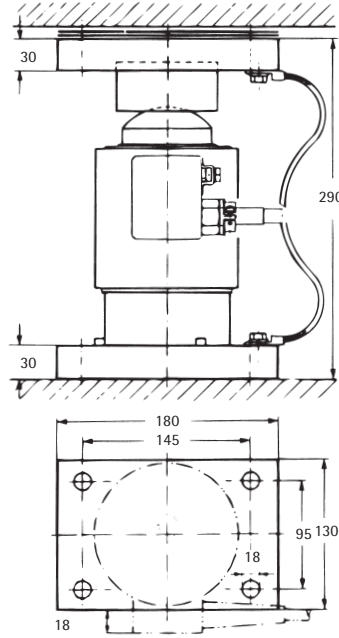
Version

- N-Version: steel, zinc plated, yellow chromated
- S-Version: stainless steel 1.4301 according to DIN 17440 (all parts including the swivel bearings are made of stainless steel)

Accessories

- (supplied with the mounting kits)
- Bolts and washer to fix the earthing cable
 - Load disk for PR 6201
 - Instruction manual

PR 6145/08



Dimensions in mm

PR 6145/08

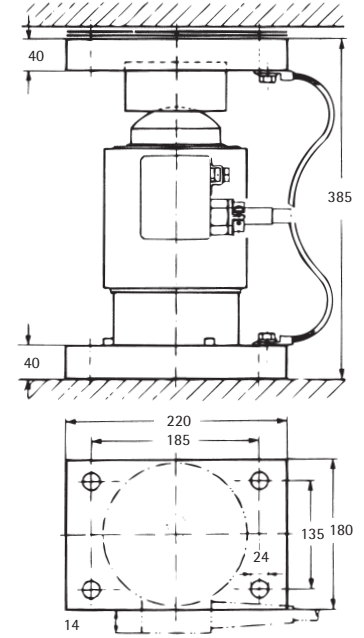
Version

- N-Version: steel, zinc plated, yellow chromated

Accessories

- (supplied with the mounting kits)
- Bolts and washer to fix the earthing cable
 - Load disk for PR 6201
 - Instruction manual

PR 6145/10



Dimensions in mm

PR 6145/10

Version

- N-Version: steel, zinc plated, yellow chromated

Accessories

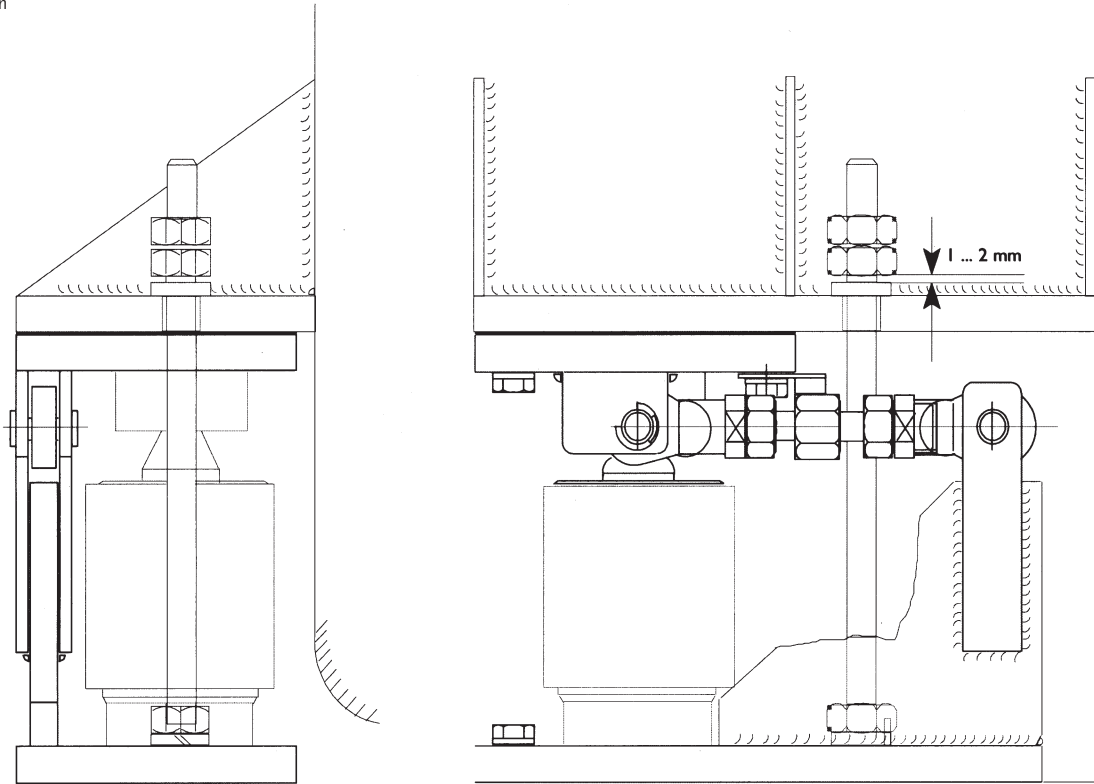
- (supplied with the mounting kits)
- Bolts and washer to fix the earthing cable
 - Load disk for PR 6201
 - Instruction manual

Order information

Type	for load cell type	Packing	Weight gross/net	Order number
PR6145/00N	PR 6201 (up to 50t)	210 x 160 x 150mm	4,0kg/3,6kg	9405 361 45001
PR6145/00S	PR 6201/xx (for 20t... 50t order PR 6143/54S seperatly)	220 x 170 x 160mm	5,3kg/3,8kg	9405 361 45002
PR6145/08N	PR 6201/15	240 x 200 x 180mm	12,9kg/12,1kg	9405 361 45081
PR6145/10N	PR 6201/25, PR 6201/35	280 x 230 x 190mm	27,4kg/27,1kg	9405 361 45101
PR6143/54S	PR 6201/34, 54	-	0,65kg/0,6kg	9405 361 43542

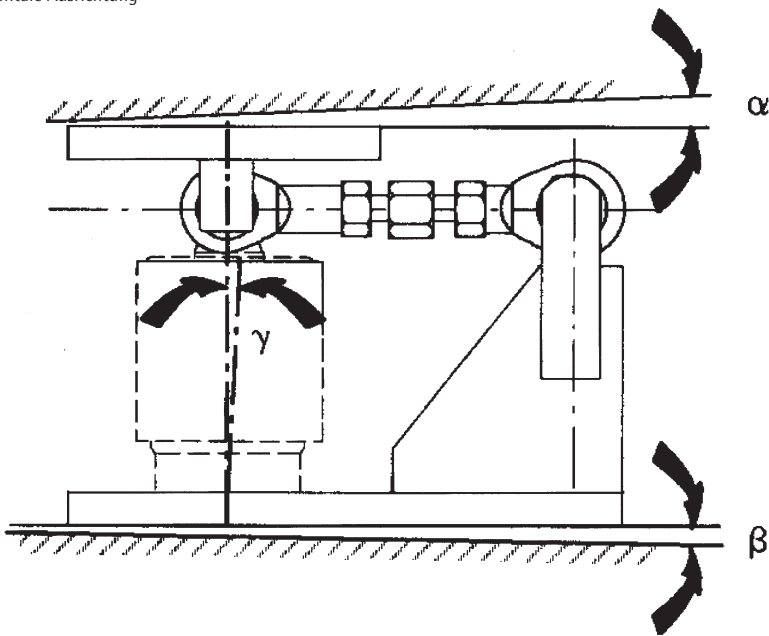
Compact Mounting Kits for PR 6201 load cells MiniFLEXLOCK

Lift-off protection



For lift-off protection it is advised to use a threaded rod M 16 (M 20), 2 washer and 3 nuts. On the upper side of the threaded rod a play of 1mm must be between the nut and the hopper.

Horizontale Ausrichtung



To achieve the specifications, the angle should not exceed
 $\alpha = 2^\circ$
 $\beta = 0.5^\circ$
 $\gamma = 1^\circ$