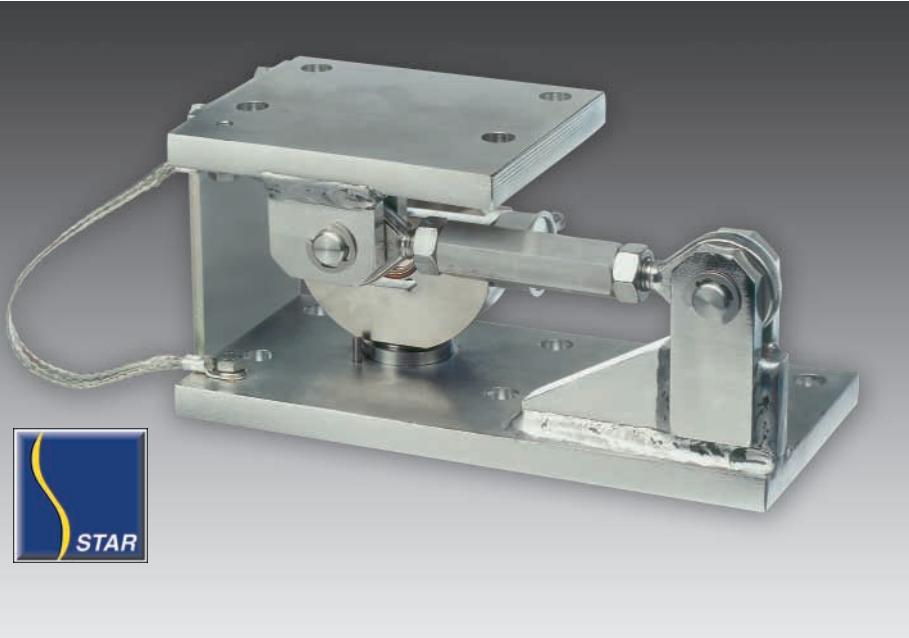




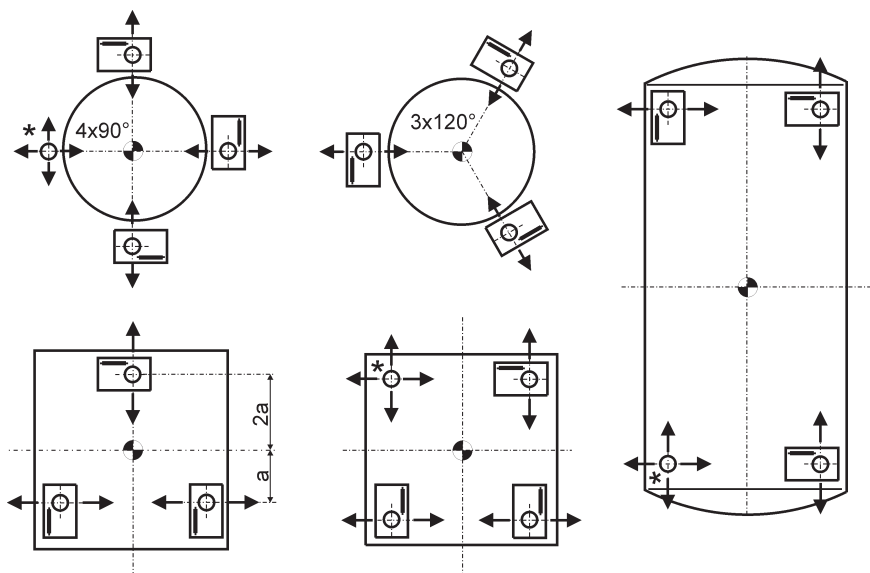
sartorius

PR 6041, PR 6043

Mounting kits for load cell PR 6241



- Simple and fast installation because dummies are included in the supply
- Proven mounting kits for vessels and platforms
- Best weighing performance since mounting kits and load cells form a complete weighing unit
- Prepared for the installation of a lift-off-protection
- Full stainless steel version available
- Completely maintenance free, inclusive constrainer
- Compact design

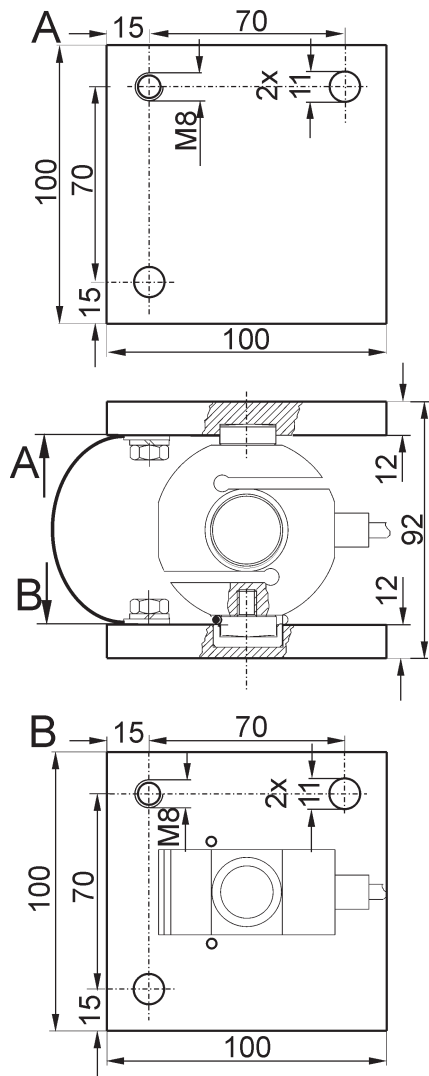


The standard version is available in zinc plated and yellow chromated steel. For the chemical and food industries with their high requirements to durability and hygiene. The MiniFlexlock is also available in stainless steel. The built-in constrainer absorbs horizontal forces, while leaving the object free to expand in case of temperature changes. The version with constrainer is equipped with dummies. The mounting kits are 100% maintenance free.

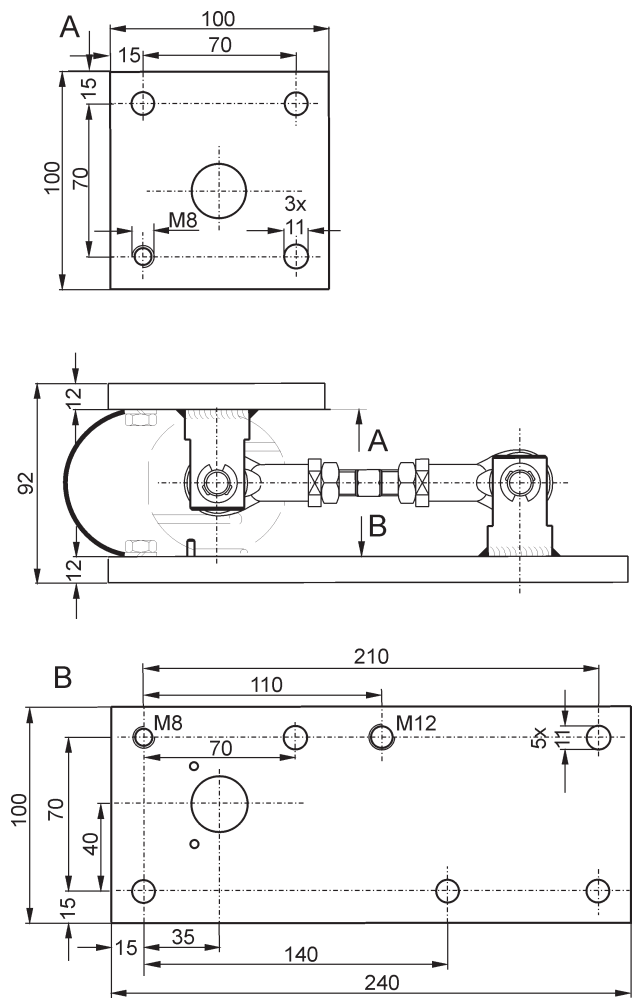
* do not constrain this point

Mounting plate kit and MiniFLEXLOCK for PR 6241 (100kg... 2t)

PR 6041/30NEtS



MiniFLEXLOCK PR 6043/30NEtS



Dimensions in mm

Dimensions in mm

PR 6041/30

Technical data

Mounting with bolts M10

Version

- N-Version: steel, zinc plated, yellow chromated
- S-Version: stainless steel 1.4301 according to DIN 17440

Order information

MiniFLEXLOCK PR 6043/30

Technical data

Mounting with bolts M10

Max. continuous horizontal force for the

constrainer 6kN

Destructive force of the constrainer > 20kN

Version

- N-Version: steel, zinc plated, yellow chromated
- S-Version: stainless steel 1.4301 according to DIN 17440 (all parts including the swivel bearings are made of stainless steel)

Accessories

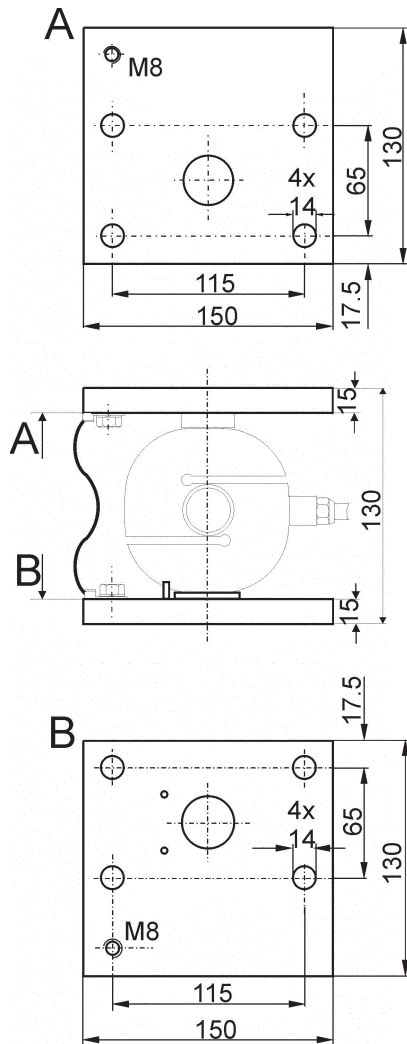
(supplied with the mounting kits)

- Bolts and washer to fix the earthing cable
- Dummy with a permissible load of 2t
- Instruction manual
- Drilling template

Type	Description	Packing	Weight gross/net	Order number
PR6041/30N	Mounting plate kit	14 x 14 x 13cm	2.8kg/2.5kg	9405 360 41301
PR6041/30S	Mounting plate kit, stainless steel	14 x 14 x 13cm	2.8kg/2.5kg	9405 360 41302
PR6043/30N	MiniFLEXLOCK, 6kN	26 x 13 x 13cm	4.8kg/4.3kg	9405 360 43301
PR6043/30S	MiniFLEXLOCK, 6kN, stainless steel	26 x 13 x 13cm	4.8kg/4.3kg	9405 360 43302
PR6043/31S	Load button set, stainless steel	-	0.2kg/0.15kg	9405 360 43312

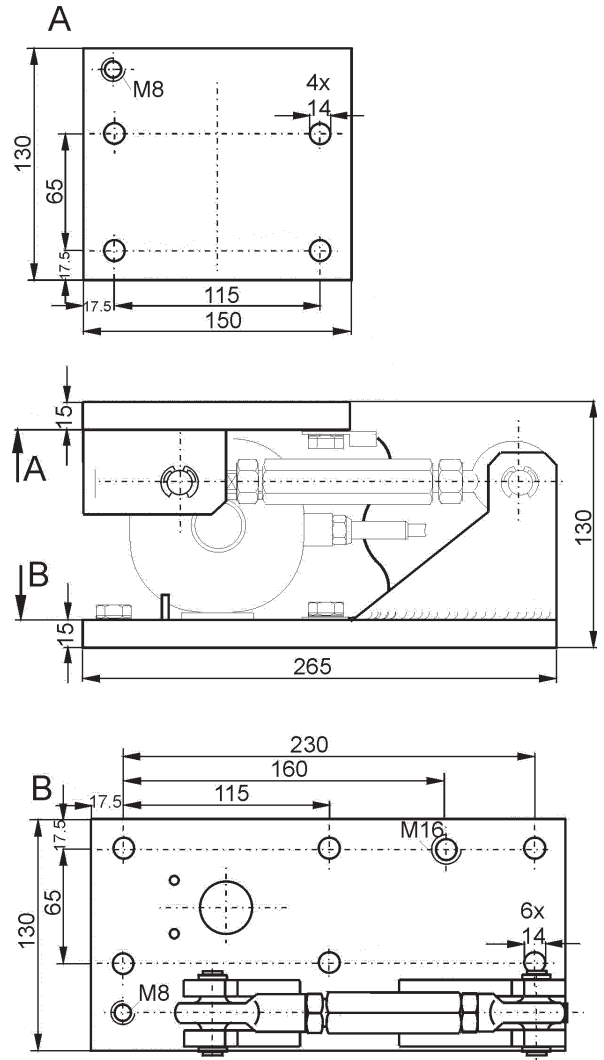
Mounting plate kit and MiniFLEXLOCK for PR 6241 (3t, 5t)

PR 6041/40N&S



Dimensions in mm

MiniFLEXLOCK PR 6043/40N&S



Dimensions in mm

PR 6041/40

Technical data

Mounting with bolts M12

Version

- N-Version: steel, zinc plated, yellow chromated
- S-Version: stainless steel 1.4301 according to DIN 17440

Order information

Type	Description	Packing	Weight gross/net	Order number
PR6041/40N	Mounting plate kit	18 x 15 x 18cm	6.9kg/6.5kg	9405 360 41401
PR6041/40S	Mounting plate kit, stainless steel	18 x 15 x 18cm	6.9kg/6.5kg	9405 360 41402
PR6043/40N	MiniFLEXLOCK, 18kN	30 x 16 x 17cm	10.6kg/10.2kg	9405 360 43401
PR6043/40S	MiniFLEXLOCK, 18kN, stainless steel	30 x 16 x 17cm	10.6kg/10.2kg	9405 360 43402

MiniFLEXLOCK PR 6043/40

Technical data

Mounting with bolts M12

Max. continuous force for the

constrainer 18kN

Destructive force of the constrainer > 50kN

Version

- N-Version: steel, zinc plated, yellow chromated
- S-Version: stainless steel 1.4301 according to DIN 17440 (all parts including the swivel bearings are made of stainless steel)

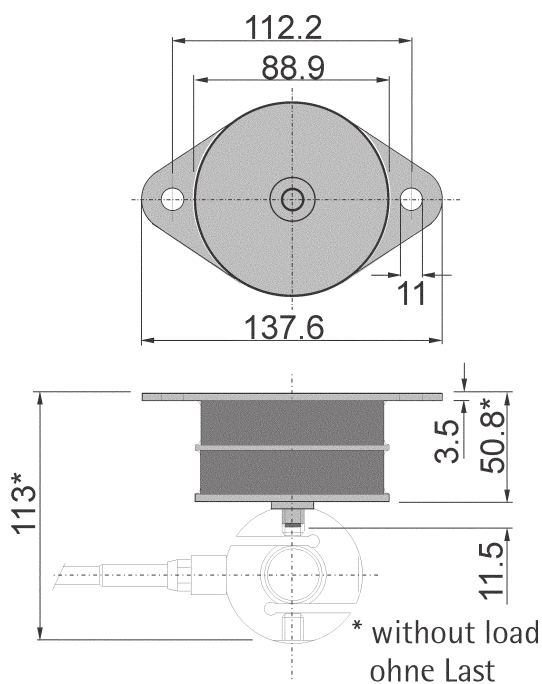
Accessories

(supplied with the mounting kit)

- Bolts and washers to fix the earthing cable
- Dummy with a permissible load of 5t
- Instruction manual
- Drilling template

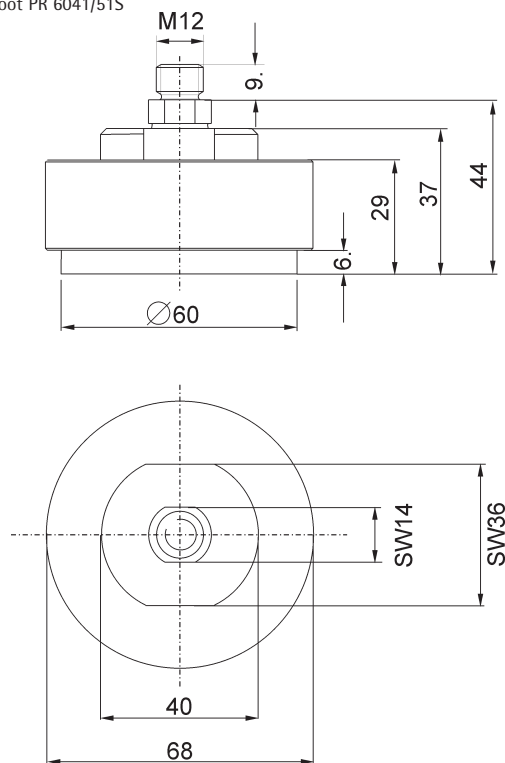
Rubber mounting kit PR 6041/03N, Platform foot PR 6041/51S

Rubber Mounting Kit PR 6041/03N



Dimensions in mm

Platform foot PR 6041/51S



Dimensions in mm

Rubber mounting kit PR 6041/03N

Suitable for load cells PR 6241 with capacities between 100kg and 500kg

Max. vertical compression load
750kg

Max. vertical tension load
100kg

Permissible horizontal force
2.2kN

Horizontal displacement
1mm per 150N

Operating temperature
-25°C... +60°C (-14°F... +140°F)

Storage and transportation
-40°C... +80°C (-40°F... +176°F)

Platform foot PR 6041/51S

Suitable for load cells PR 6241 with capacities between 100kg and 2t

Operating temperature
-30°C... +80°C (-22°F... +176°F)

Accessories
(supplied with the mounting kits)
instruction manual

Order information

Type	Description	Packing	Weight gross/net	Order number
PR6041/03N	Rubber mounting kit (100kg... 500kg)	15 x 9 x 6cm	0.82kg/0.7kg	9405 360 41031
PR6041/51S	Platform foot, stainless steel (100kg... 2t)	-	0.75kg/0.7kg	9405 360 41402