



MP 77 Bending Beam Load Cell



10kg ... 500kg

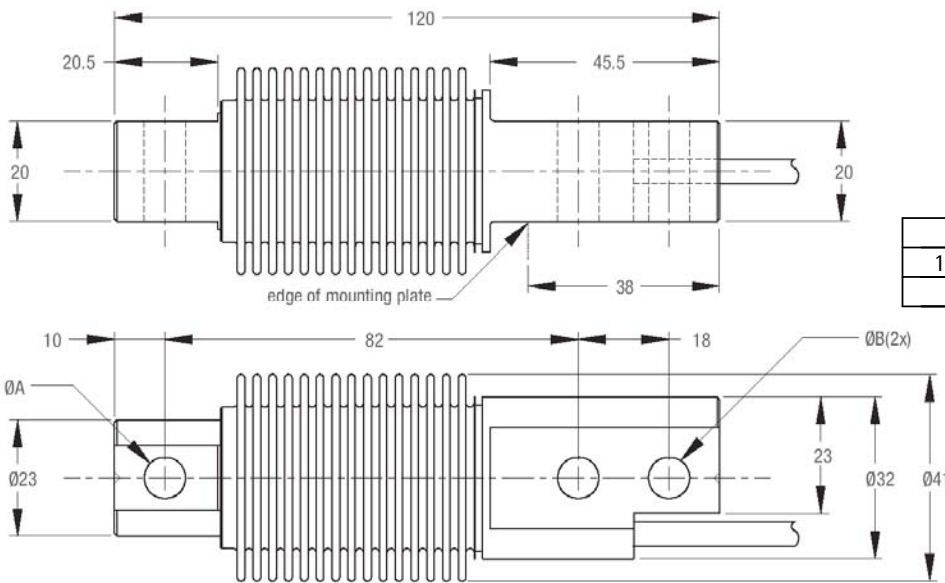
- Full stainless steel construction
- Compatible with other sources
- Hermetically welded seal (IP68)
- Approved according to OIML R60
- Ex version available

Application

- Platform scales
- Tank and hopper scales

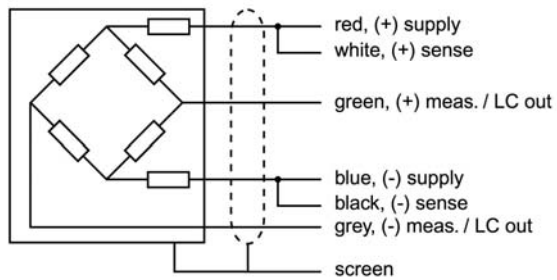
Technical Data		C3MR	
Accuracy class (Combined error)		0.02	% C _n
Maximum capacity	E _{max}	10 / 20 / 50 / 100 / 200 / 250 / 500	kg
Maximum usable load	E _u	200	% E _{max}
Destructive load	E _d	≥ 300	% E _{max}
Safe side load	E _{lq}	100	% E _{max}
Maximum number of LC intervals	n _{LC}	3,000	
Minimum LC verification interval v _{min} = E _{max} / Y	Y	10,000	
Rated output	C _n	2.0	mV/V
Tolerance on rated output	D _c	≤ ± 0.1	% C _n
Zero output signal	S _{min}	≤ ± 5	% C _n
Creep, during 30 min.	d _{cr}	≤ ± 0.016	% C _n
Temperature effect on S _{min}	TK _{Smin}	≤ ± 0.014	% C _n / 10K
Temperature effect on C	TK _C	≤ ± 0.01	% C _n / 10K
Input impedance	R _{LC}	380 ± 10	Ω
Output impedance	R _O	350 ± 3	Ω
Insulation impedance (100V DC)	R _{IS}	≥ 5	GΩ
Recommended supply voltage	B _u	5 ... 15	V
Nominal ambient temperature range	B _T	- 10 ... + 40	°C
Usable ambient temperature range	B _{Tu}	- 40 ... + 80	°C
Nominal deflection	S _{nom}	0.29 (E _{max} =10kg); 0.30 (E _{max} =20kg); 0.23 (E _{max} =50kg); 0.30 (E _{max} =100kg); 0.38 (E _{max} =200kg); 0.87(E _{max} =250kg); 1.25 (E _{max} =500kg)	mm
Cable length		3.0 (other lengths optional)	m
Cable type		6 conductor TPE cable (AWG 26), shield grounded (optional: shield floating)	
Sensor material		Stainless Steel 1.4548	
Protection class (acc. to IEC 529)		IP68	

The technical data given here serve only as a product description and must not be interpreted as guaranteed characteristics in legal sense.



Capacity	A	B
10...250 kg	8.2	8.2
500 kg	10.5	8.2

Dimensions in mm

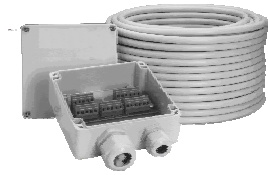


Wiring diagram

Type	Order Number	Type	Order Number
MP 77/ 10 kg C3MR	9408 277 07010	MP 77/ 10 kg C3MR E	9408 677 07010
MP 77/ 20 kg C3MR	9408 277 07020	MP 77/ 20 kg C3MR E	9408 677 07020
MP 77/ 50 kg C3MR	9408 277 07050	MP 77/ 50 kg C3MR E	9408 677 07050
MP 77/ 100 kg C3MR	9408 277 07110	MP 77/ 100 kg C3MR E	9408 677 07110
MP 77/ 200 kg C3MR	9408 277 07120	MP 77/ 200 kg C3MR E	9408 677 07120
MP 77/ 250 kg C3MR	9408 277 07125	MP 77/ 250 kg C3MR E	9408 677 07125
MP 77/ 500 kg C3MR	9408 277 07150	MP 77/ 500 kg C3MR E	9408 677 07150

Accessories

MP 80/ MP 90 – Cables and cable junction boxes



MP80 Installation cable

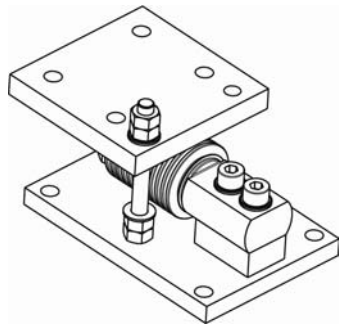
- Temperature range: -20°C ... +80°C
- Material: PVC
- 6-wire cable

MP90 Cable junction box

- Temperature range: -20°C ... +70°C
- Material: ABS
- Protection class: IP65

MP 80/ 31	Meteor installation cable 30m	9408 800 80311
MP 80/ 51	Meteor installation cable 50m	9408 800 80511
MP 80/ 12	Meteor installation cable 100m	9408 800 80121
MP 80/ 32	Meteor installation cable 300m	9408 800 80321
MP 80/ 80	Grounding cable	9408 800 80801
MP 90/ 04	Cable junction box for up to 4 load cells	9408 800 90041
MP 90/ 06	Cable junction box for up to 4 load cells (6-wire)	9408 800 90061

MP 97 - Mounting kit



- Simple mounting solution for tanks and hoppers
- Temperature range: -30°C ... +80°C
- Material: mild steel, zinc plated
- Permissible horizontal force:
 - MP 97/ 00: 2,5KN
 - MP 97/ 01: 5KN
- Dummy function: 3KN
- Permissible lift-off force: 10KN

MP 97/ 00 N	Mounting kit for MP 77 until 250kg	9408 800 97001
MP 97/ 01 N	Mounting kit for MP 77/ 500kg	9408 800 97011

Sartorius Mechatronics T&H GmbH
Meiendorfer Straße 205
22145 Hamburg, Germany
Tel. +49.40.67960.303
Fax +49.40.67960.383
www.sartorius-mechatronics.com