



PR 6130 Cable Junction Boxes PR 6135, PR 6136 Installation Cables



- Reliable connection between load cells and the controller
- Cable junction boxes:
 - Robust casing made of plastic, aluminum, or stainless steel
 - Protection class IP65 – IP68 | IP69K
 - Large service temperature range
 - Pressure equalizing membrane
 - For four and six-conductor technology
- Installation cables:
 - Safe connection over large distances
 - Good chemical resistance
 - Resistant to interference thanks to double shielding
 - High strength armored version available



Cable boxes PR 6130/04 and PR 6130/08 are designed as a simple connection solution for installation and load cell cables. Emphasis has been placed on important factors such as high insulation resistance, prevention of the undesired effects of leakage current on the measurement signal, etc.

The PR 6130/08 plastic cable junction box connects up to eight load cell cables to one installation cable. It meets the requirements for protection class IP65. The two quadruple cable glands are fitted for the load cell cables and an M20 cable gland is fitted for the installation cable.

The PR 6130/04 cable junction box has an aluminum casing, meeting the criteria for protection class IP67. It is suited for the connection of up to four load cells and one installation cable.

In either box the cable wires are each laid separately (all lines with supply voltage + connected to one block). The shields themselves are similarly combined together.

The PR 6130/34Sa, PR 6130/35S, and PR 6130/38S cable junction boxes are the optimal connection solutions for installation and load cell cables. They can be used in weighing systems for use in legal metrology as well as those not for such use. The casings are made of stainless steel, making them equally well suited for use both in highly corrosive environments as well as in the extremely hygienic production areas of the pharmaceutical industry. The cable junction boxes PR 6130/64Sa, PR 6130/65S and PR 6130/68S are specially designed for use in potentially explosive atmospheres. Up to four load cells can be connected to the PR 6130/x4Sa and PR 6130/x5S cable junction boxes. The PR 6130/x5S is especially space-saving due to its compact design.

Up to eight load cells can be connected to the PR 6130/x8S cable junction boxes.

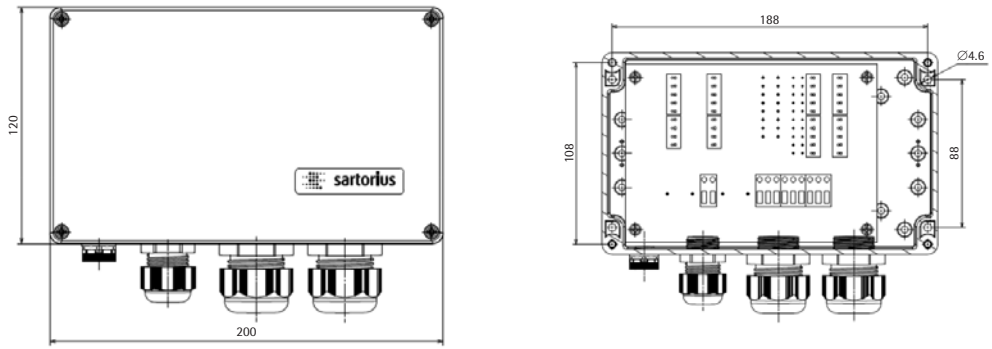
All stainless steel boxes fulfill the requirements of protection classes IP68 and IP69K, guaranteeing reliable measurements for many years.

The installation cables of the PR 6135 and PR 6136 ranges were specifically developed for the special requirements placed on weighing technology in industrial environments. They bridge the gap between the junction boxes and weighing electronics.

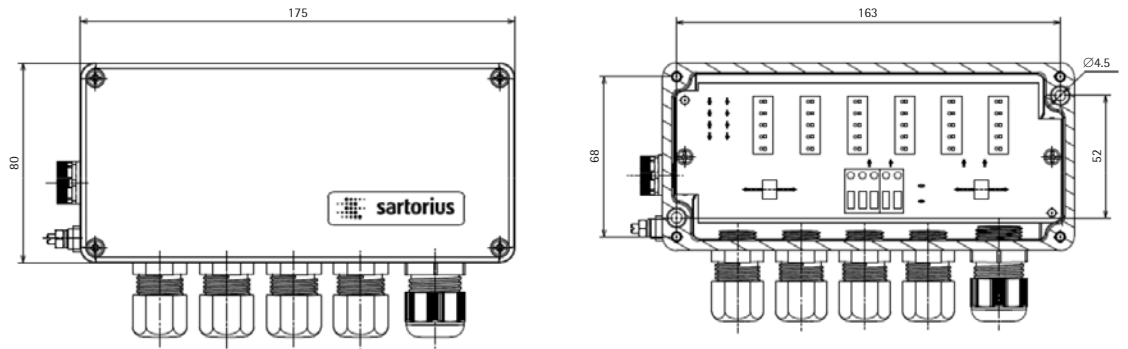
The very high transmission reliability of the cable is thanks to its double shielding: For one, each testing wire is individually shielded. For two, the cable itself is additionally protected by an overall shield. This ensures that nothing can influence the measurement signal during transfer. The blue PR 6136 is used in potentially explosive environments, while the gray PR 6135 is designed for all other applications. The cable is silicon-free, flame-resistant and highly resistant to external influences.

Both cables are also available in an armored design for especially harsh environments. This design incorporates an additional stainless steel mesh and an extra thick casing for increased protection against cutting or rodents.

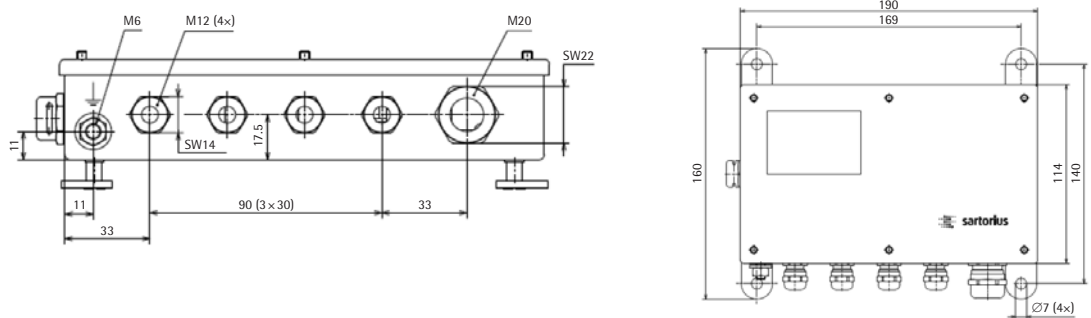
PR6130/08



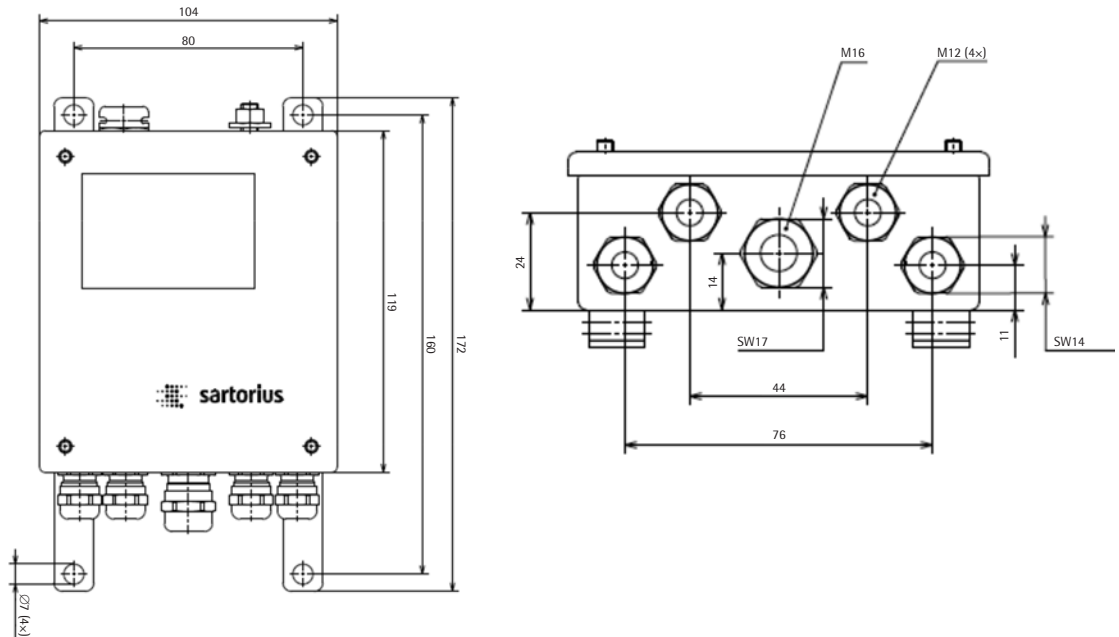
PR6130/04N



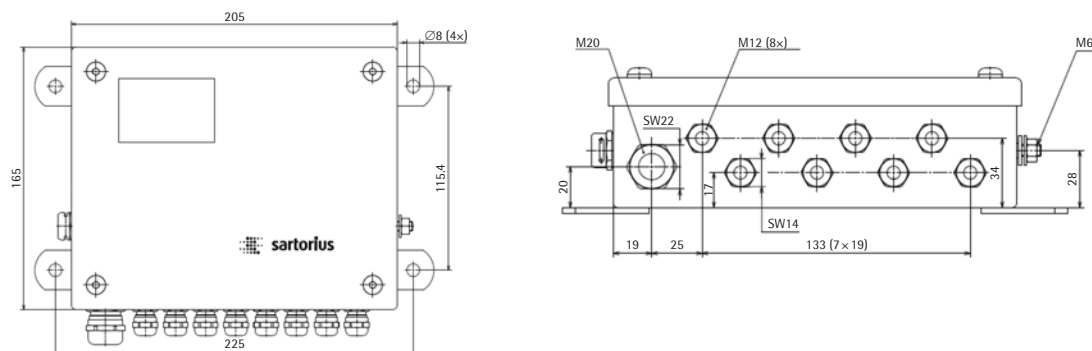
PR6130/34Sa, PR6130/64Sa



PR6130/35S, PR6130/65S



PR6130/38S, PR6130/68S



All dimensions in mm

Technical specifications

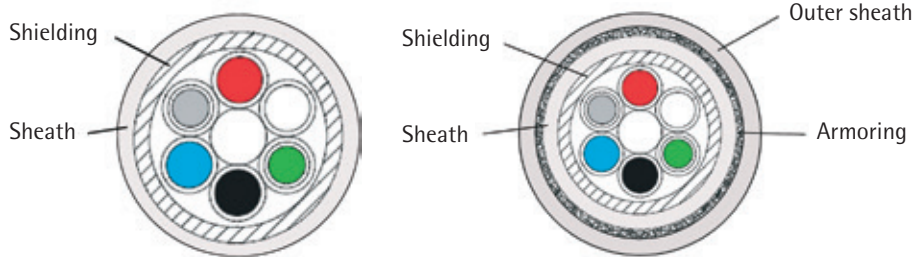
	PR6130/08	PR6130/04N	PR6130/34Sa	PR6130/35S	PR6130/38S	PR6130/64Sa	PR6130/65S	PR6130/68S
Number of load cells	1 ... 8	1 ... 4	1 ... 4	1 ... 4	1 ... 8	1 ... 4	1 ... 4	1 ... 8
Material	Poly-carbonate	Aluminium, painted	1.4301, AISI 304	1.4301, AISI 304	1.4404, AISI 316L	1.4301, AISI 304	1.4301, AISI 304	1.4404, AISI 316L
Protection class	IP65	IP67	IP68 IP69K	IP68 IP69K	IP68 IP69K	IP68 IP69K	IP68 IP69K	IP68 IP69K
ATEX FM approval	No	No	No	No	No	Yes	Yes	Yes
Service temperature range	-30°C ... +70°C	-30°C ... +70°C	-30°C ... +80°C	-30°C ... +80°C	-30°C ... +80°C	-20°C ... +60°C	-20°C ... +60°C	-20°C ... +60°C
Transportation and storage	-30°C ... +80°C	-30°C ... +80°C	-30°C ... +80°C	-30°C ... +80°C	-30°C ... +80°C	-30°C ... +80°C	-30°C ... +80°C	-30°C ... +80°C
Corner correction possible	No	Yes	Yes	Yes	Yes	Yes	Yes	Yes
Insulation resistances								
Wire – wire	> 1000 MΩ	> 1000 MΩ	> 1000 MΩ	> 1000 MΩ	> 1000 MΩ	> 1000 MΩ	> 1000 MΩ	> 1000 MΩ
Wire – shield	> 1000 MΩ	> 1000 MΩ	> 1000 MΩ	> 1000 MΩ	> 1000 MΩ	> 1000 MΩ	> 1000 MΩ	> 1000 MΩ
Wire – housing	> 1000 MΩ	> 1000 MΩ	> 1000 MΩ	> 1000 MΩ	> 1000 MΩ	> 1000 MΩ	> 1000 MΩ	> 1000 MΩ
EMC in accordance with								
DIN EN 61000-4-3	10 V/m	10 V/m	10 V/m	10 V/m	10 V/m	10 V/m	10 V/m	10 V/m
Overload test			500 V _{AC}	500 V _{AC}	500 V _{AC}	500 V _{AC}	500 V _{AC}	500 V _{AC}
Vibration resistance		IEC 60068-2-6 Fc, 5g	IEC 68-2-6 Fc, 5g	IEC 68-2-6 Fc, 5g	IEC 68-2-6 Fc, 30g	IEC 68-2-6 Fc, 5g	IEC 68-2-6 Fc, 5g	IEC 68-2-6 Fc, 30g

The technical data given here serve only as a product description and must not be interpreted as guaranteed characteristics in the legal sense.

Ordering information

Model	Description	Packaging	Weight (net gross)	Order number
PR6130/08	Cable junction box	260 × 210 × 120 mm	0.61 kg 0.86 kg	9405 361 30083
PR6130/04N	Cable junction box	260 × 210 × 120 mm	0.73 kg 0.98 kg	9405 361 30043
PR6130/34Sa	Stainless steel cable junction box	260 × 210 × 120 mm	1.80 kg 2.05 kg	9405 361 30343
PR6130/35S	Stainless steel cable junction box	260 × 210 × 120 mm	0.84 kg 1.09 kg	9405 361 30353
PR6130/38S	Stainless steel cable junction box	260 × 210 × 120 mm	1.80 kg 2.05 kg	9405 361 30383
PR6130/64Sa	Stainless steel cable junction box (ATEX FM)	260 × 210 × 120 mm	1.80 kg 2.05 kg	9405 361 30643
PR6130/65S	Stainless steel cable junction box (ATEX FM)	260 × 210 × 120 mm	0.84 kg 1.09 kg	9405 361 30653
PR6130/68S	Stainless steel cable junction box (ATEX FM)	260 × 210 × 120 mm	1.80 kg 2.05 kg	9405 361 30683

Installation Cables



Wire	Cross-section	Function
red	0.75 mm ²	+ voltage
blue	0.75 mm ²	- voltage
white	0.75 mm ²	+ sense
black	0.75 mm ²	- sense
green	0.56 mm ²	+ meas/LC out
gray	0.56 mm ²	- meas/LC out

Cable Diameter

PR 6135: 9 mm
 PR 6136: 11 mm
 PR 6135(A), PR 6136(A): 13 mm

Bending Radii

	PR 613x	PR 613xA
rigid	55 mm	130 mm
flexible	165 mm	260 mm

Cable Capacity

6135 250 pF/m
 6136 250 pF/m
 6135A 250 pF/m
 6136A 250 pF/m

Cable Inductivity

6135 0.80 µH/m
 6136 0.80 µH/m
 6135A 0.80 µH/m
 6136A 0.80 µH/m

Conductor Resistance at 20 °C

Supply and sense lines
 0.75 mm² ≤ 26 Ω/km,
 Measurement lines 0.56 mm² ≤ 35 Ω/km

Temperature range

Operation and storage
 flexible -40 °C to +90 °C
 rigid -60 °C to +90 °C
 for a short time up to +125 °C

Test Voltage

500 V (50 Hz, 1 min)
 VDE 0472 Part 508 Test B

Resistance against Oil

EN 60811-2-1

Flame Resistance

EN 50265-2-1, IEC 60332-1

Ordering Information

Model	Description		Packaging	Gross weight	Order number
PR 6135/01	Installation cable, gray	1 m (minimum length 51 m)	Ring		9405 361 35012
PR 6135/11	Installation cable, gray	10 m	Ring	1.8 kg	9405 361 35112
PR 6135/21	Installation cable, gray	20 m	Ring	3.8 kg	9405 361 35212
PR 6135/31	Installation cable, gray	30 m	Ring	5.2 kg	9405 361 35312
PR 6135/51	Installation cable, gray	50 m	Ring	8.2 kg	9405 361 35512
PR 6135/12	Installation cable, gray	100 m	Ring	13 kg	9405 361 35122
PR 6135/32	Installation cable, gray	300 m	Ring	42 kg	9405 361 35322
PR 6135/01A	Installation cable, gray	1 m (minimum length 10 m)	Ring		9405 361 35019
PR 6135/22A	Installation cable, gray	200 m	Ring	43 kg	9405 361 35229
PR 6136/01	Installation cable, blue	1 m (minimum length 10 m)	Ring		9405 361 36011
PR 6136/51	Installation cable, blue	50 m	Ring	8.6 kg	9405 361 36511
PR 6136/12	Installation cable, blue	100 m	Ring	18 kg	9405 361 36121
PR 6136/32	Installation cable, blue	300 m	Ring	55 kg	9405 361 36321
PR 6136/01A	Installation cable, blue	1 m (minimum length 10 m)	Ring		9405 361 36019
PR 6136/22A	Installation cable, blue	200 m	Ring	43 kg	9405 361 36229

The technical data specified above only serve to describe the product and should not be construed as warranted characteristics in the legal sense.

Sartorius Mechatronics T&H GmbH
 Meiendorfer Straße 205
 22145 Hamburg, Germany

Phone +49.40.67960.303
 Fax +49.40.67960.383

sales.hh@sartorius-intec.com
 www.sartorius-intec.com